

Chain Openers 250



This inconspicuous Teleflex-clearline opener features a fully retracting stainless steel chain with quick release window attachments to facilitate window cleaning. With an internal projection of 64mm the enclosed chain case permits ease of operation whilst allowing close fitting of curtains or blinds.

Available complete in both 250mm (10") and 400mm (14") travel increments, the chain opener will remain as rigid as a peg stay when extended throughout its working lifetime.

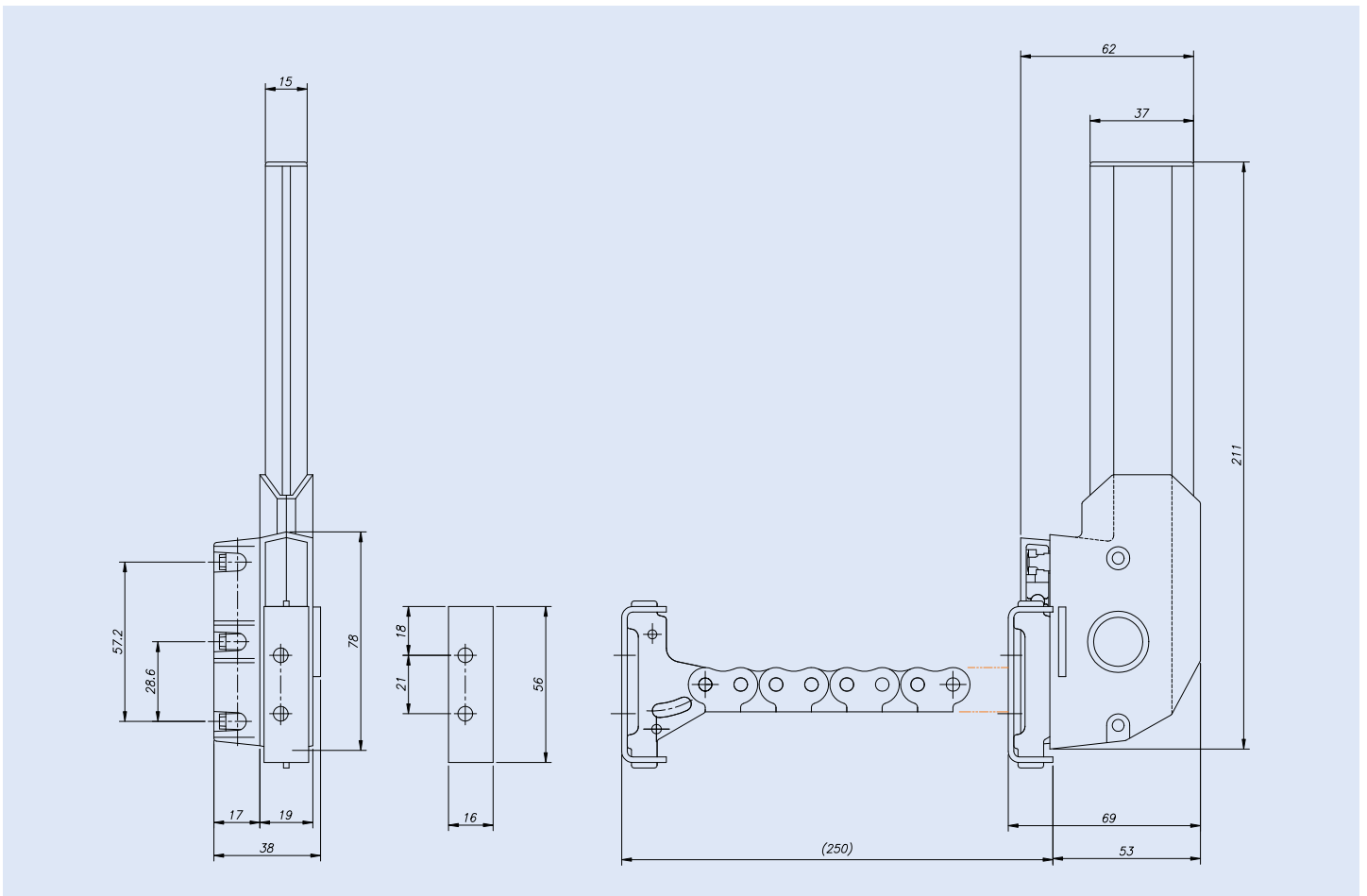
The all metal chain opener has a high resistant polyester powder white, grey, brown or black finish now with stainless steel chain for greater strength, durability and corrosion free.

Colours: White, Grey, Anthracite and Black

Part Number: 213241 (250mm) - 213242 (400mm)



Dimensions



Chain Openers 400

This inconspicuous Teleflex-clearline opener features a fully retracting stainless steel chain with quick release window attachments to facilitate window cleaning. With an internal projection of 64mm the enclosed chain case permits ease of operation whilst allowing close fitting of curtains or blinds.

Available complete in both 250mm (10") and 400mm (14") travel increments, the chain opener will remain as rigid as a peg stay when extended throughout it's working lifetime.

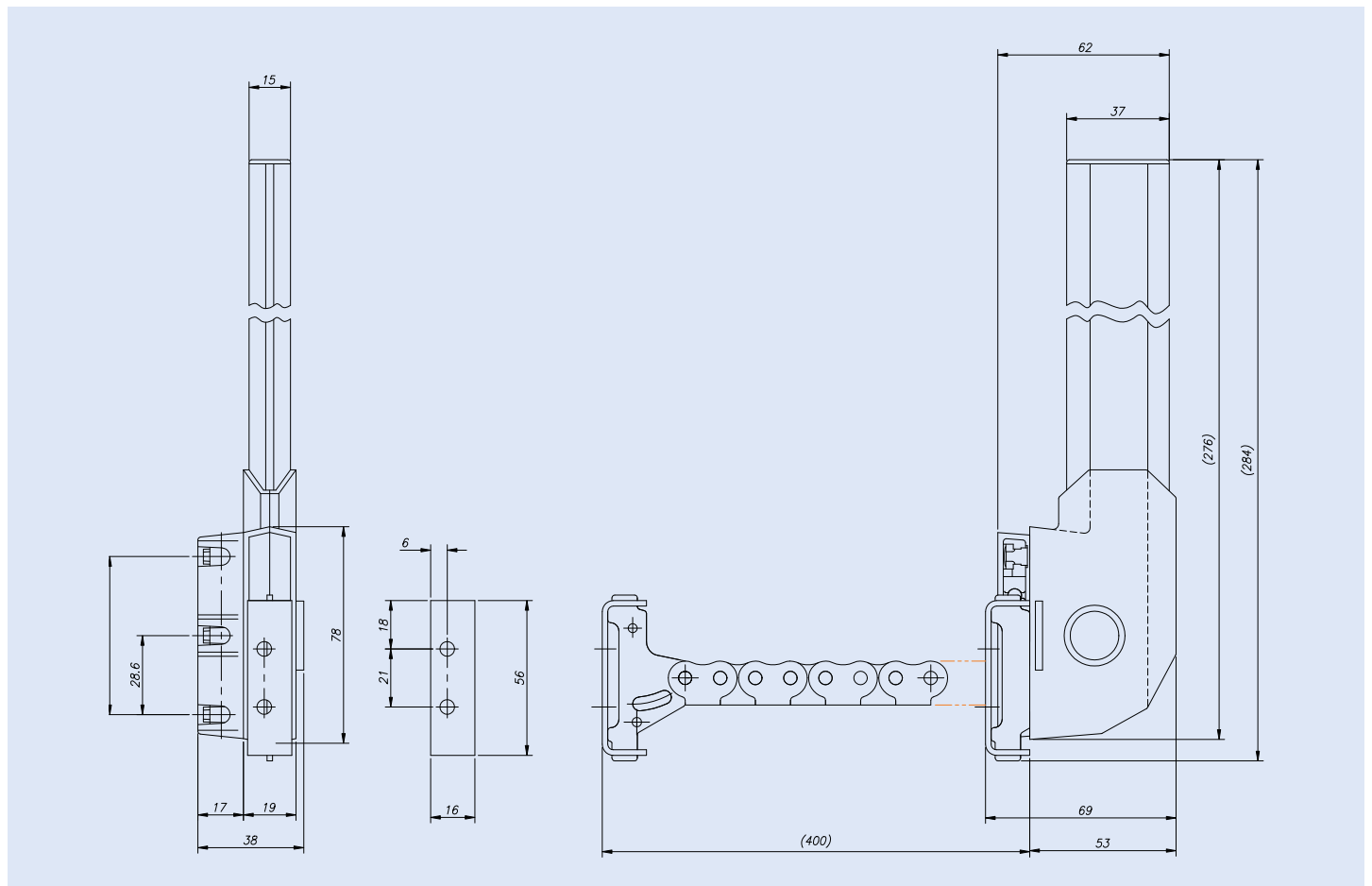
The all metal chain opener has a high resistant polyester powder white, grey, brown or black finish now with stainless steel chain for greater strength, durability and corrosion free.

Colours: White, Grey, Anthracite and Black

Part Number: 213241 (250mm) - 213242 (400mm)



Dimensions



Teleflex-clearline Midi Controls

The most popular operator designed for single or multiple applications this units houses the spent travel tube, which makes it the obvious choice for schools and hospital applications.

For use with Teleflex-clearline Manual Window Controls specifically designed for single or grouped vent applications the Teleflex Midi Operator incorporates the spent travel tube within its overall casing.



714671 Teleflex-clearline Handle 100mm (4") (SOLD SEPARATELY)

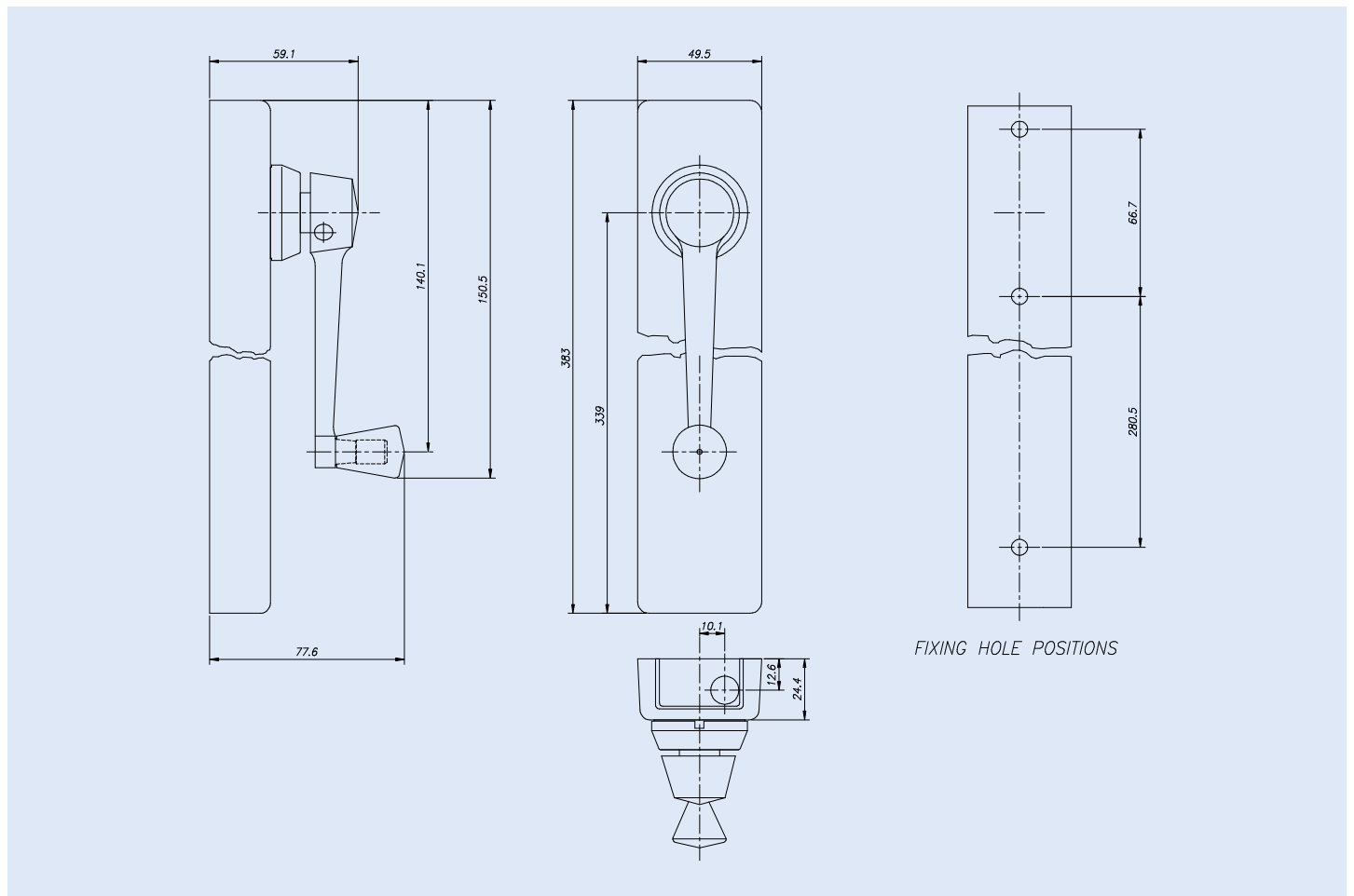
W-46mm L-384mm

Midi Fitting Kit included

Colours: White, Grey, Anthracite and Black

Part Numbers: 714600

Dimensions



Teleflex-clearline XL Midi Controls



For use with Teleflex-clearline Manual Window Controls specifically designed for single or grouped vent applications the Teleflex-clearline Midi Operator incorporates the spent travel tube within its overall casing.

714671 Teleflex-clearline Handle 100mm (4") (SOLD SEPARATELY)

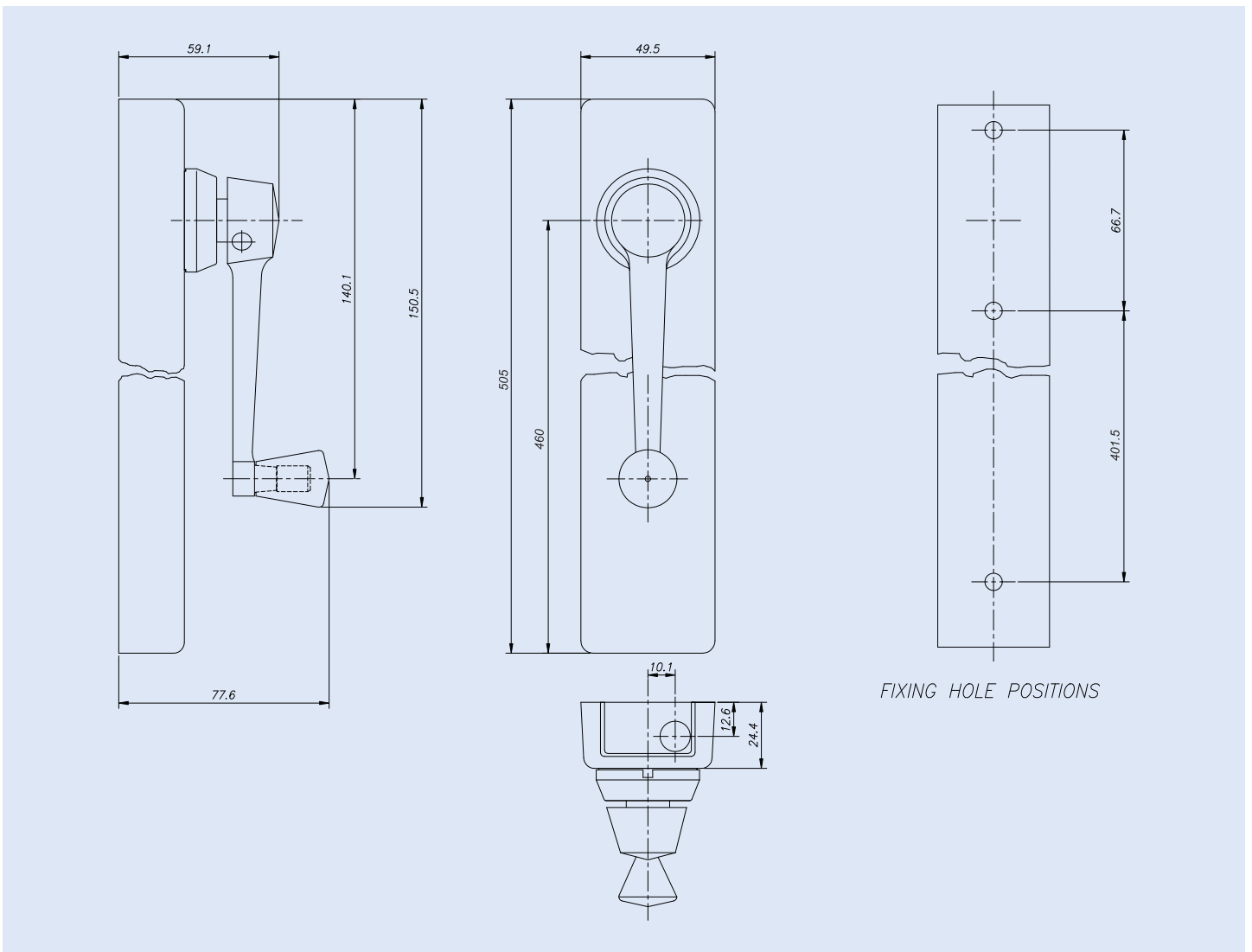
W-46mm L-510mm

XL Midi Fitting Kit included

Colours: White, Grey, Anthracite and Black

Part Numbers: 714600XL

Dimensions



Teleflex-clearline Mini Controls



The smallest operator designed for single or multiple applications with the spent travel tube sheathed and wall mounted.

(714671) Teleflex-clearline Handle
100mm (4") (SOLD SEPARATELY)

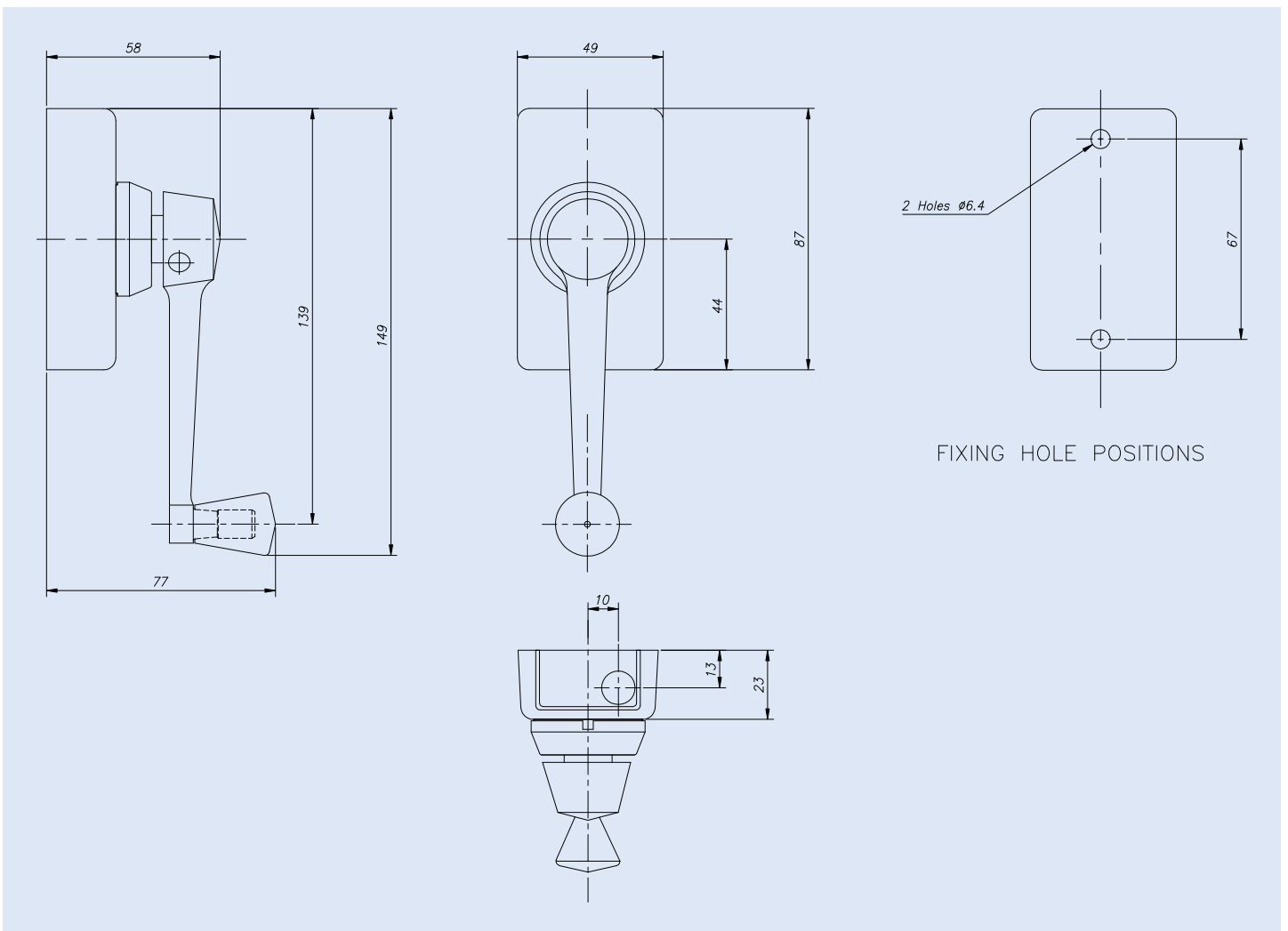
W-44mm L-89mm

Fitting kit included

Colours: White, Grey, Anthracite and
Black

Part Numbers: 714606

Dimensions



Teleflex-clearline Maxi Controls

For use with Teleflex-clearline Manual Window Controls an operator designed for applications requiring maximum range of vents.

Teleflex-clearline Handle 125mm (5")
Supplied with product

W-92.4mm L-150.4mm

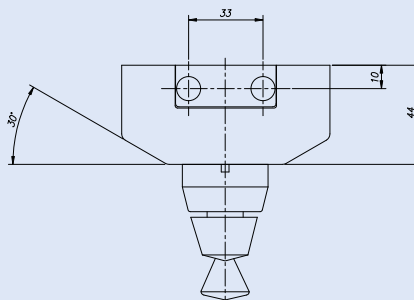
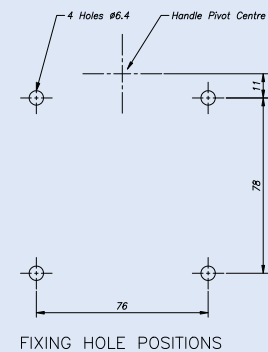
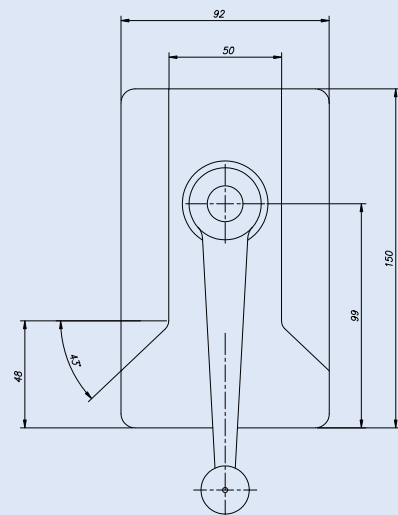
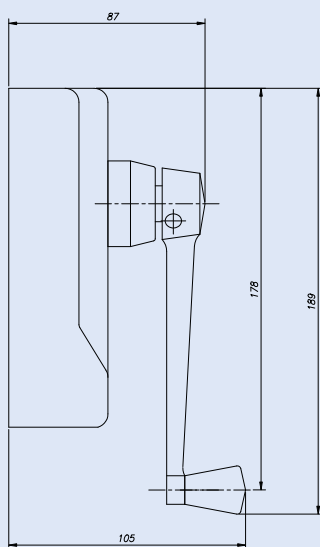
Maxi fitting kit included

Colours: White, Grey, Anthracite and Black

Part Numbers: 213240



Dimensions



Teleflex-clearline Conduit (Bundy Tube)



Conduit can be cut and formed on site taking in account building contours.

Our Conduit is sold in 3 meter lengths. Used to house the TIVH Cable which drives the Teleflex operating system.

Colours: White, Grey, Anthracite and Black

Part Numbers: 213230

Saddle Packs

Parts to hold conduit to the wall.

Available parts are: Saddles, Clip and Packers.

Colours Available: White, Anthracite, Black and Grey

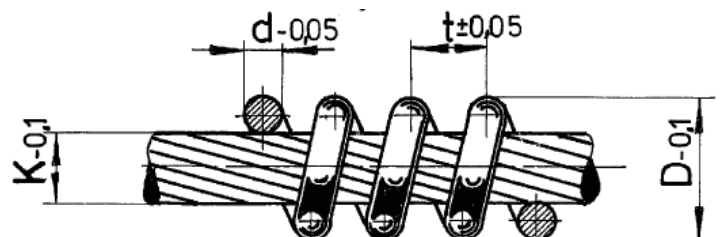


Teleflex-clearline Core Wire

Teleflex-clearline core wire is manufacture on site at our Bradford location. This is coiled on rolls of 50m.

This is used down the conduit (213230) and is suitable for all the Teleflex-clearline Window Opener products.

Part Number: 275637/001/50m



Fixing Plate B4

For use on angled profile frames.

Colours available: White, Anthracite, Black and Grey



Fixing Plate B5

For use on square profile frames.

Colours available: White, Anthracite, Black and Grey



Conduit Connector

A connecting tube to join conduit together.

Part Number: 205690

Colours Available: White, Anthracite, Black and Grey

