

Lever/Lever Handle, 48mm

Features and Benefits



- * Lever/lever door handles for exterior UPVc doors.
- * Unsprung ,fully reversible levers.
- * Aluminium lever and backplate.
- * Includes spindle and screws

Technical Information

Material Specification

- * Material: Aluminium
- * Door thickness: 27-36 mm
- * Spindle size: 8 mm
- * Connection by solid spindle
- * Backplates: with supporting lugs

Additional Information

Box Qty: 15 per box

Assessment Data

Category of use grade 2 to DIN EN 1906

Window & Door Accessories Ltd.

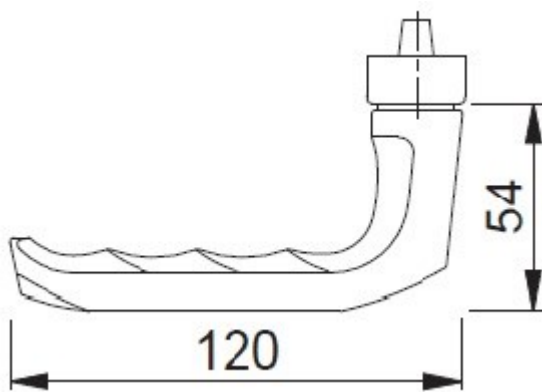
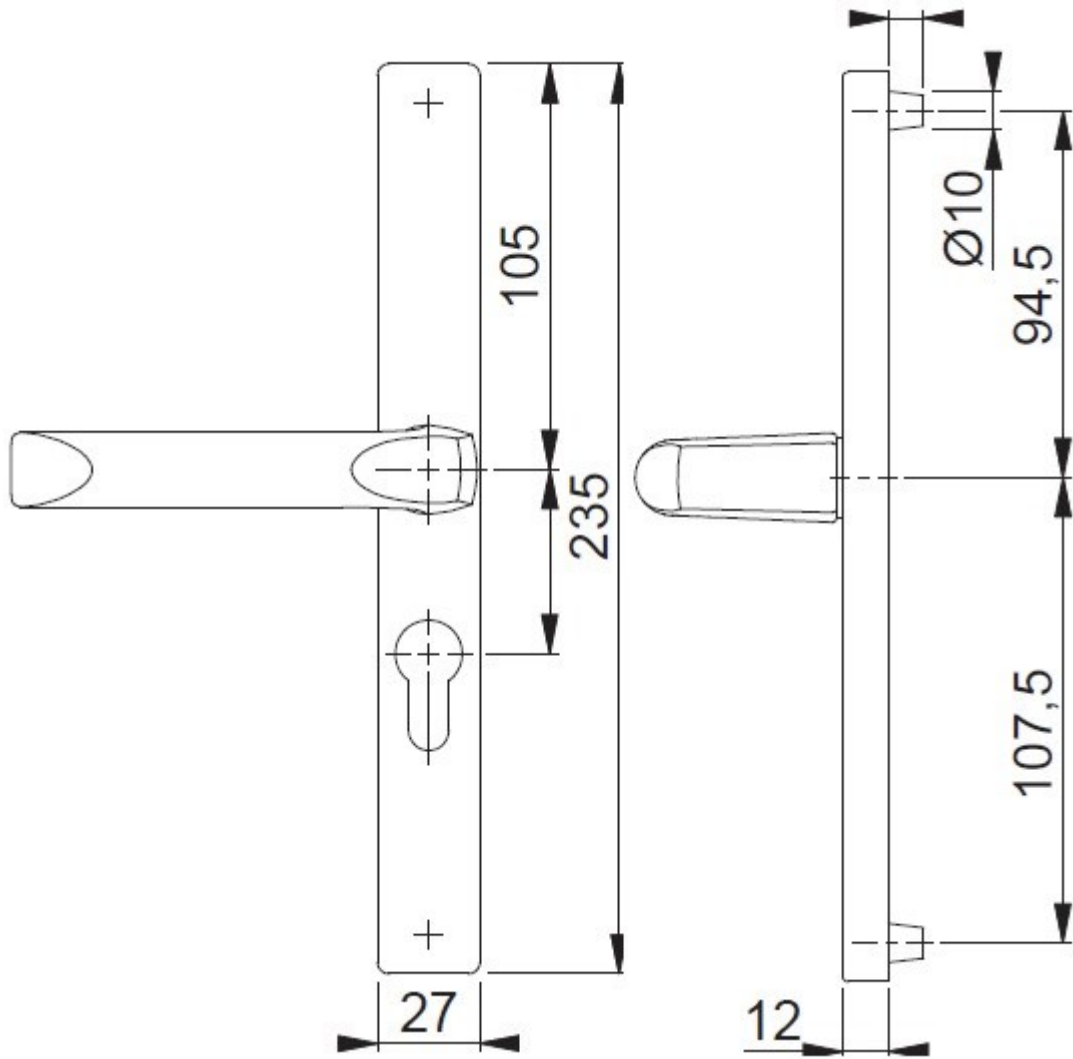
Richmond House, Newtown Avenue, Malahide Road Industrial Park, Dublin 17

Tel: 01-8670011 Fax: 01-8670011 Email: info@wdacc.ie Web: www.wdacc.ie



Lever/Lever Handle, 48mm

Technical Drawing



Product Codes

Lever/Lever Handle—48mm	
Part No	Finish
B0101-2-48-WH	White
B0101-2-48-GLD	Gold
B0101-2-48-SF1	Silver



Window & Door Accessories Ltd.

Richmond House, Newtown Avenue, Malahide Road Industrial Park, Dublin 17

Tel: 01-8670011 Fax: 01-8670011 Email: info@wdacc.ie Web: www.wdacc.ie