

Features and Benefits



- * Product type: Set (handle/handle)
- * Version: Set with narrow backplate
- * Material: aluminium
- * Keyhole: Euro profile cylinder
- * Hole distance: 70 mm
- * Door thickness: 58-62 mm + 68-72 mm
- * Spindle size: 7 mm

Technical Information

HOPPE aluminium handle set on narrow backplate for French doors:

- * Tested to DIN EN 1906: 26-0130U
- * Bearing: fixed/movable door handles, maintenance-free slide bearing
- * Connection: HOPPE solid spindle
- * Backplates: outside with supporting lugs, inside without
- * Fixing: visible inside, bolt-through, M4 thread screws



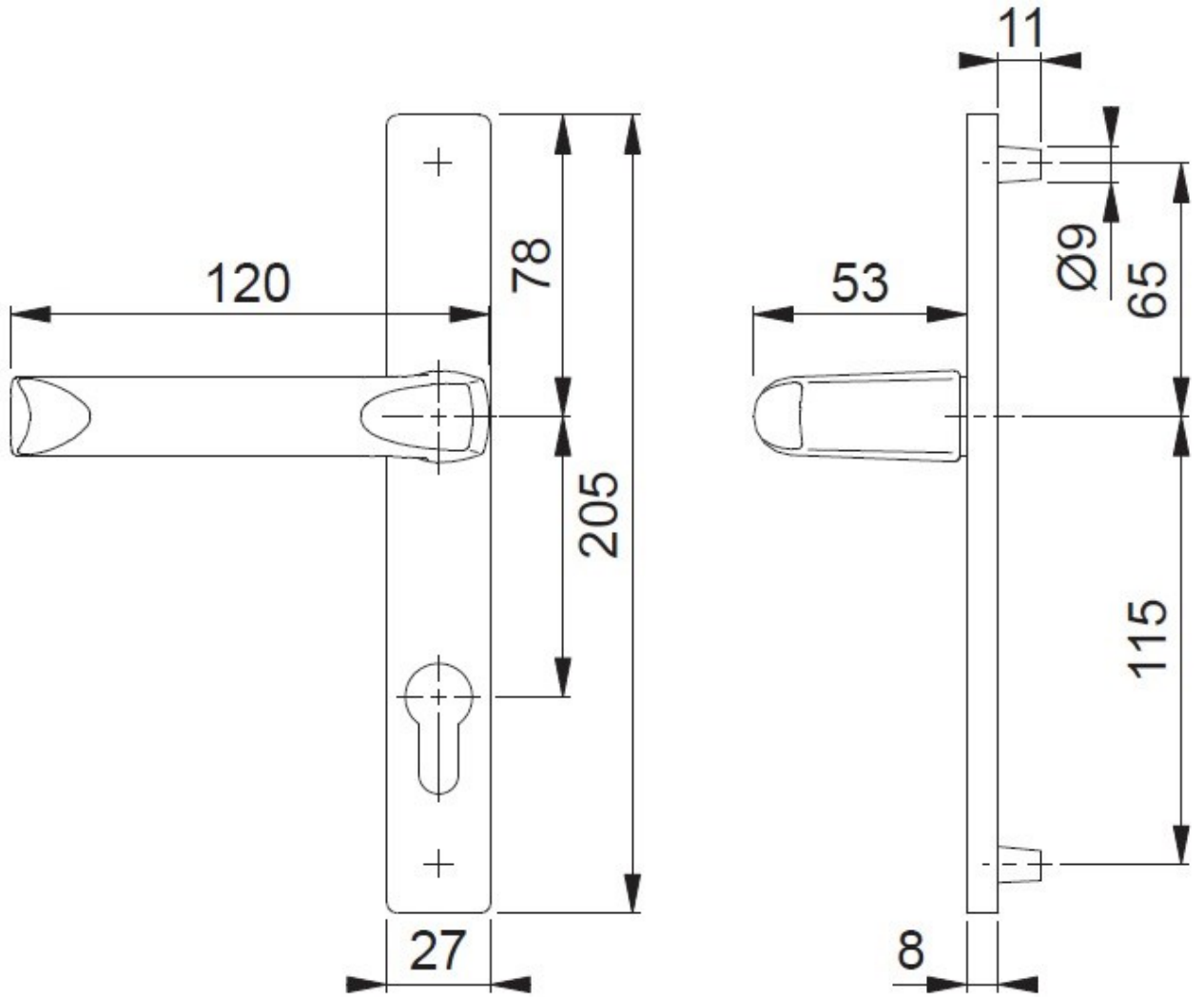
Window & Door Accessories Ltd.

Richmond House, Newtown Avenue, Malahide Road Industrial Park, Dublin 17

Tel: 01-8670011 **Fax:** 01-8670011 **Email:** info@wdacc.ie **Web:** www.wdacc.ie

Lever/Lever Handle, 70mm

Technical Drawing



Product Codes

Lever/Lever Handle, 2 Hole, 70mm	
Part No	Finish
B0101-2-70-WH	White
B0101-2-70-GLD	Gold
B0101-2-70-SF1	Silver



Window & Door Accessories Ltd.

Richmond House, Newtown Avenue, Malahide Road Industrial Park, Dublin 17

Tel: 01-8670011 Fax: 01-8670011 Email: info@wdacc.ie Web: www.wdacc.ie