

Lever/Pad Handle, 2 Hole 92mm

Features and Benefits



- * Product type: Knob(pad)/handle set
- * Version: Set with narrow backplate
- * Material: aluminium
- * Finish: F1 aluminium silver
- * Keyhole: Euro profile cylinder
- * Hole distance: 92 mm
- * Door thickness: 65-70 mm
- * Spindle size: 8 mm

Technical Information

HOPPE aluminium pad/handle set on narrow backplate for profile doors:

- * Bearing: fixed/movable cranked knob (pad) on the outside, sprung fixed/movable door handle on the inside, maintenance-free slide bearing
- * Connection: HOPPE solid spindle
- * Backplates: with supporting lugs
- * Fixing: visible inside, bolt-through, M5 thread screws, cover caps for screw heads



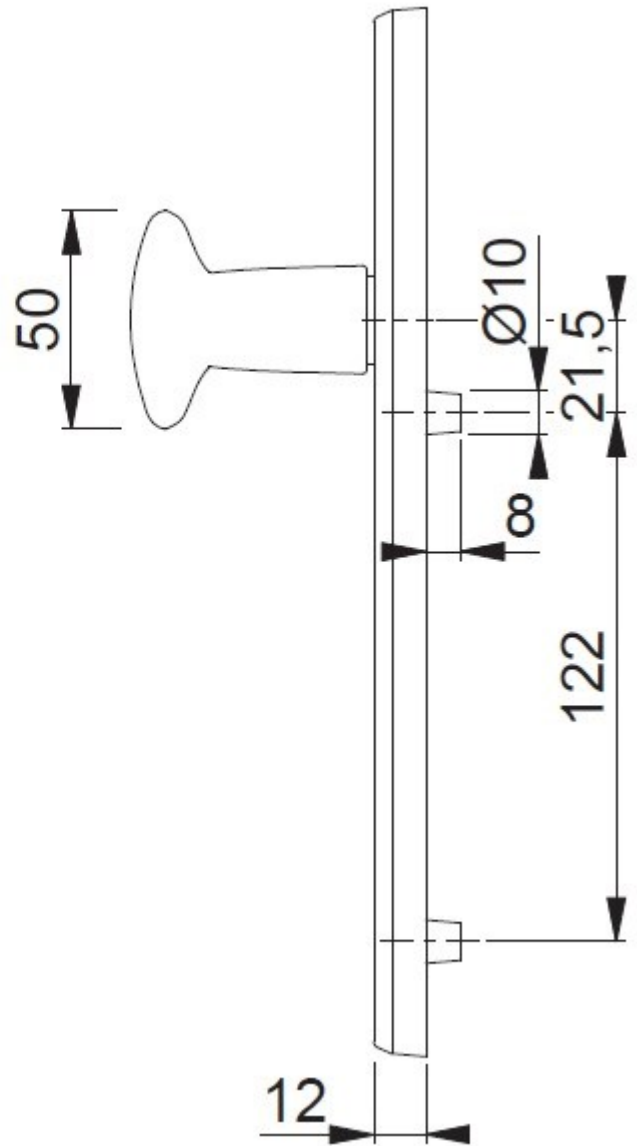
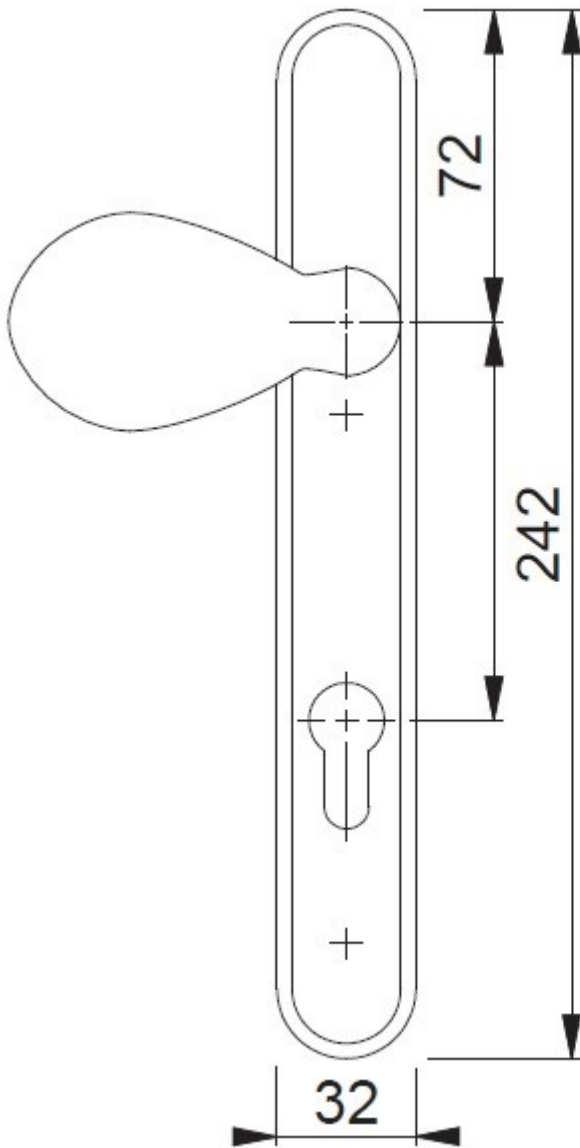
Window & Door Accessories Ltd.

Richmond House, Newtown Avenue, Malahide Road Industrial Park, Dublin 17

Tel: 01-8670011 **Fax:** 01-8670011 **Email:** info@wdacc.ie **Web:** www.wdacc.ie

Lever/Pad Handle, 2 Hole 92mm

Technical Drawing



Product Codes

Lever/Pad Handle, 2 Hole - 92mm	
Part No	Finish
B0231-2-LP-WH	White
B0231-2-LP-GLD	Gold
B0231-2-LP-SF1	Silver



Window & Door Accessories Ltd.

Richmond House, Newtown Avenue, Malahide Road Industrial Park, Dublin 17

Tel: 01-8670011 Fax: 01-8670011 Email: info@wdacc.ie Web: www.wdacc.ie