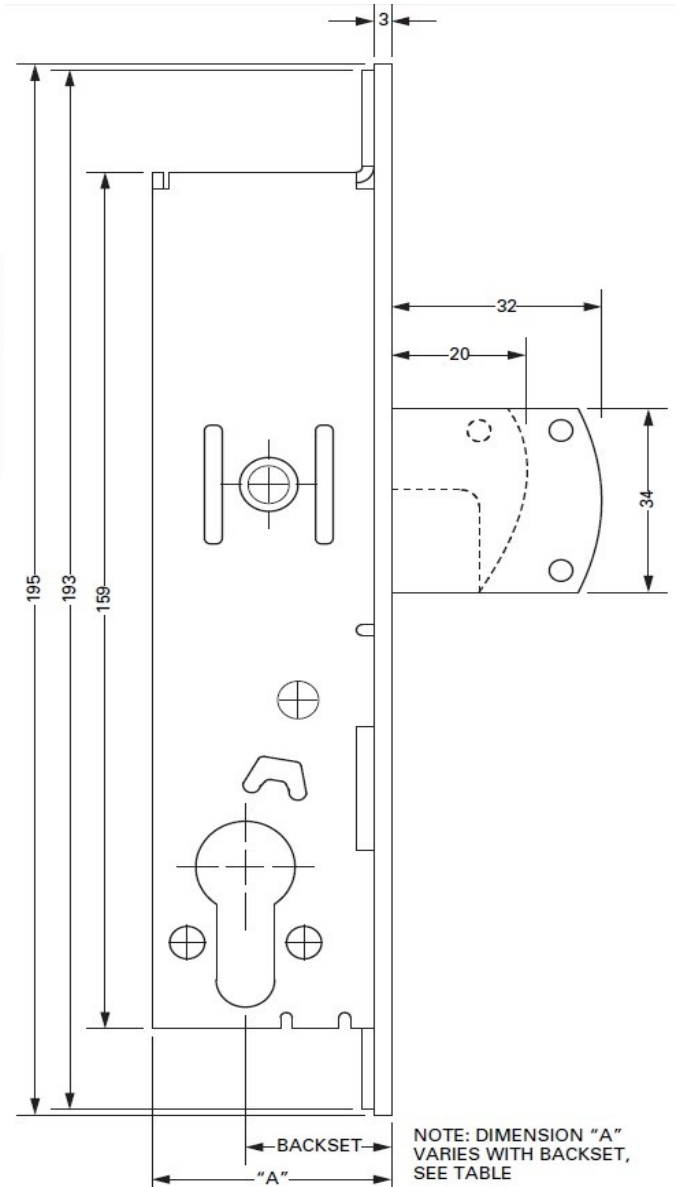


Deadlock, Hook, MS 2200

Features and Benefits



Technical Information

- * 2/3 Point locking available when used with 4022-18 kit.
- * Alumina ceramic core in bold to prevent hacksaw attack.
- * Retains the same the same uncomplicated pivot mechanism and all the security features associated with the other MS Deadlocks
- * The MS 2200 lockbody has been designed to cater for 17mm Europrofile as standard.
- * Available on aluminium and steel doors.

Product Codes

Item Number	Backset
B0521-2200-25	25mm
B0521-2200-30	30mm
B0521-2200-40	40mm



Window & Door Accessories Ltd.

Richmond House, Newtown Avenue, Malahide Road Industrial Park, Dublin 17

Tel: 01-8670011 Fax: 01-8670011 Email: info@wdacc.ie Web: www.wdacc.ie