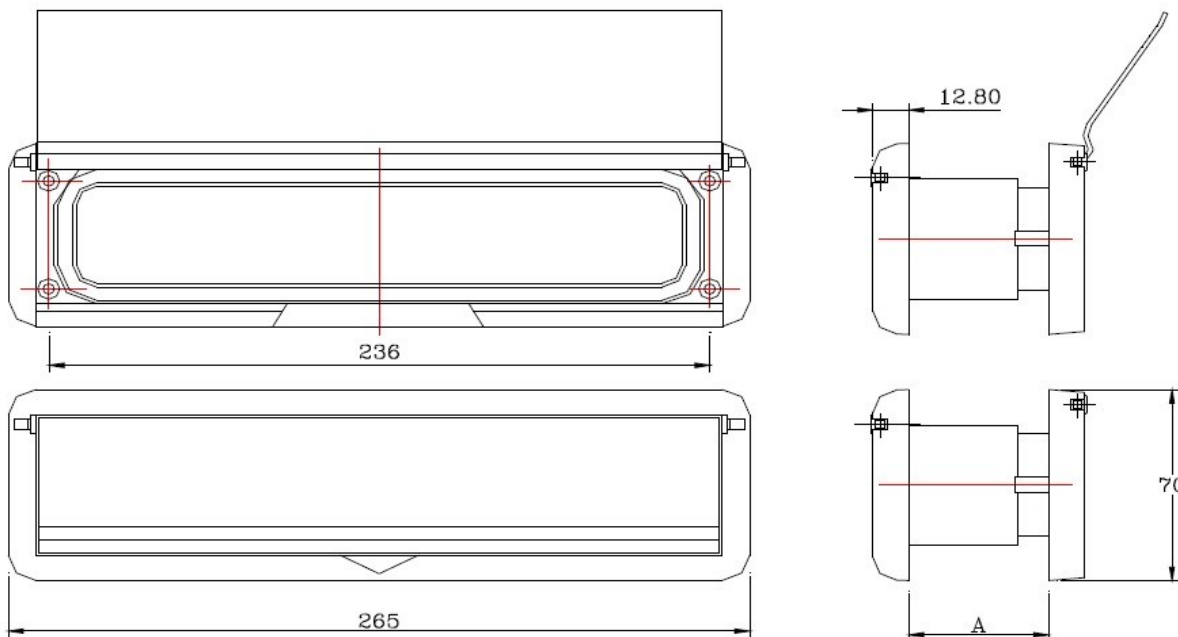


# Features and Benefits



- \* Will suit door thickness of 38 - 78mm.
- \* Overall Size 265mm x 70mm                      Opening Size 216mm x 38mm
- \* Letter Box is a robust moulded frame set with internal and external sprung flaps
- \* The external flap has been designed to be opened to approx. 147°, giving a generous and clear access to the sleeve aperture—Will take a full A4 size mail
- \* A secondary internal nylon brush seal has been introduced to reduce air filtration when in use



NOMINAL APERTURE 216mm x 38mm  
 SLEEVE SET 'A' = 40/40 AND 20/20

#### Assessment Data

Performance: 40,000 endurance cycles, opening to 140 Deg.

#### Material Specification

Frame in prime ABS  
 Extruded Aluminium Flap in 6030 Alloy

#### Additional Information

Box Qty: 25 per box

10" Letterbox



## Window & Door Accessories Ltd.

Richmond House, Newtown Avenue, Malahide Road Industrial Park, Dublin 17

Tel: 01-8670011 Fax: 01-8670011 Email: info@wdacc.ie Web: www.wdacc.ie