

## Features and Benefits



- \* Various types and sizes.
- \* Available in Brass & Nickel as standard.
- \* Master keying and cylinders to pass available to special order.
- \* Each Cylinder supplied with 3 keys.
- \* 6 Pin anti drill cylinder offers excellent performance in normal service conditions.
- \* To be used on PVCu, Timber Composite and Aluminium doors.
- \* Cylinders operate mortice locks, multipoint locks and patio locks.

### Technical Information

#### Material Specification

**Cylinder:** Extruded brass body

**Cam:** Sintered steel

**Pins:** 6 pins, anti-drill.

**Key:** Nickel plated brass

**Screw:** M5 x 35mm on Patios

& M5 x 50mm on Mortice locks

Nickel plated or polished brass screw.

**Finish:** Brass (Natural) or Silver Nickel plated brass

#### Additional Information

Available versions: Standard, Thumb turn & keyed alike.

Box Qty: 10 per box standard.

Box Qty: 5 per box keyed alike.

Box Qty: 10 Thumb turn.

Accessories: Key blanks (Available to order)

#### Assessment Data

Performance: Endurance tested 50,000

Cycles on PAS 023 specification.

Corrosion resistance: BSEN 1670

Grade 3, 96 hours NSS

Circa 20,000 key differ combinations.

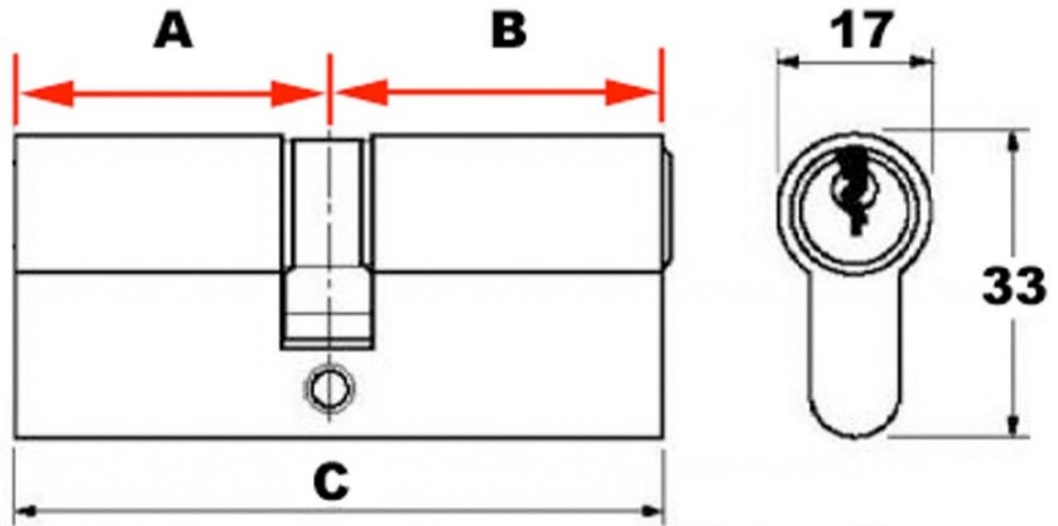
## Window & Door Accessories Ltd.

Richmond House, Newtown Avenue, Malahide Road Industrial Park, Dublin 17

**Tel:** 01-8670011 **Fax:** 01-8670011 **Email:** info@wdacc.ie **Web:** www.wdacc.ie



## Technical Drawing



To determine size measure 'A' then 'B'  
 Example A- 40mm, B- 45mm order 40/45 cylinder

### Product Codes

Part No	Description	Finish
B2010-6D-30/30N	Euro Cyl, Double, 6 Hardened Pins, 25-10-25	Nickel
B2010-6D-50/50N	Euro Cyl, Double, 6 Hardened Pins, 45-10-45	Nickel

Part No	Description	Finish
B2020-6TT-T35/35N	Euro Cyl, Thumb Turn, 6 Hardened Pins, 30-10-30, T/T on 35 Side	Nickel
B2020-6TT-T60/40N	Euro Cyl, Thumb Turn, 6 Hardened Pins, 55-10-35, T/T on 60 Side	Nickel

Part No	Description	Finish
B2030-6KA-40/45N	Euro Cyl, Double, 6 Hardened Pins, 35-10-40, Keyed Alike	Nickel
B2030-6KA-50/50N	Euro Cyl, Double, 6 Hardened Pins, 45-10-45, Keyed Alike	Nickel

A full range of sizes are available in euro / Thumb Turn / Keyed alike cylinders

## Window & Door Accessories Ltd.

Richmond House, Newtown Avenue, Malahide Road Industrial Park, Dublin 17

Tel: 01-8670011 Fax: 01-8670011 Email: info@wdacc.ie Web: www.wdacc.ie

