

## Features and Benefits



- \* An effective modern security hinge specifically designed to exceed the requirements of PAS 024 – without additional hinge protection.
- \* Offer full 3D adjustment on the door
- \* Compact design offers unrivalled strength, yet maintains slim sight lines with no evidence of drop.
- \* Over rebate fixings into 8mm bosses provided exceptional security and stability;
- \* Additional security screw prevents tampering on externally hung doors.
- \* Comprehensive range of finishes including White, Polished Chrome, Polished Gold, Dark Brown, Light Brown and Black.
- \* Available in RAL colours under special order.
- \* Infill pieces are available to suite most popular chamfered or sculpted profile.
- \* Available in 16 sizes covering all UK door profiles.
- \* 1mm packer available, suitable for over rebate size 13mm – 28 mm.
- \* 80 kg sash weight (2 hinges)
- \* 10 year mechanical guarantee.

### Technical Information

#### Material Specification

Quality zinc die cast construction

Incorporating stainless steel hinge pin

#### Assessment Data

Painted Finishes. NSS 240 Hours

Plated Finish. NSS 96 Hours.

#### Additional Information

Box Qty 40

Accessories: Packer & Infill pieces.

Hinges Jigs available on request.

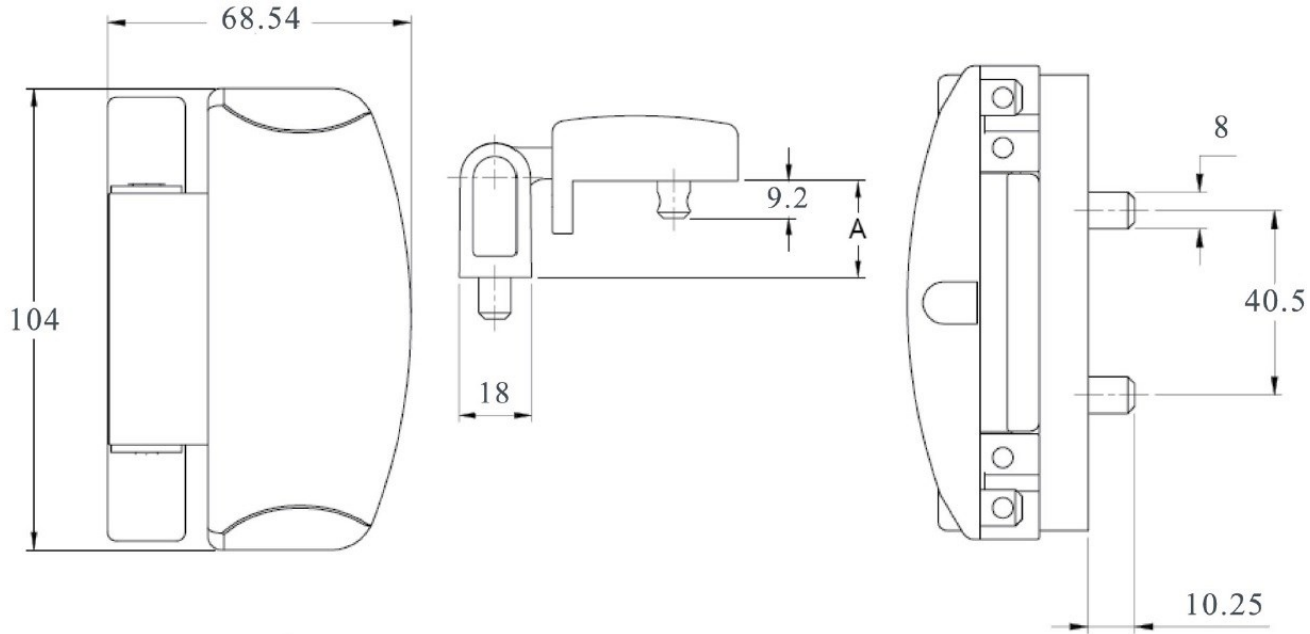


## Window & Door Accessories Ltd.

Richmond House, Newtown Avenue, Malahide Road Industrial Park, Dublin 17

**Tel:** 01-8670011 **Fax:** 01-8670011 **Email:** info@wdacc.ie **Web:** www.wdacc.ie

## Technical Drawing



### Product Codes

Product Code	Description	Finish
B4001-16/17-WH	EasyFit Security Hinge 16/17	White
B4001-19/22-WH	EasyFit Security Hinge 19/22	White
B4001-20/21-WH	EasyFit Security Hinge 20/21	White
B4001-23/18-WH	EasyFit Security Hinge 23/18	White
B4001-24-WH	EasyFit Security Hinge 24	White

Available in vast range of colours

## Window & Door Accessories Ltd.

Richmond House, Newtown Avenue, Malahide Road Industrial Park, Dublin 17

Tel: 01-8670011 Fax: 01-8670011 Email: [info@wdacc.ie](mailto:info@wdacc.ie) Web: [www.wdacc.ie](http://www.wdacc.ie)

