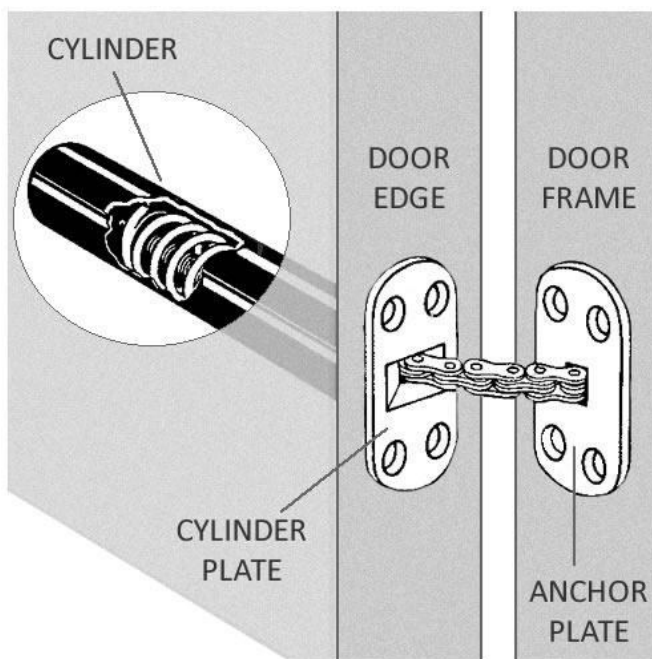
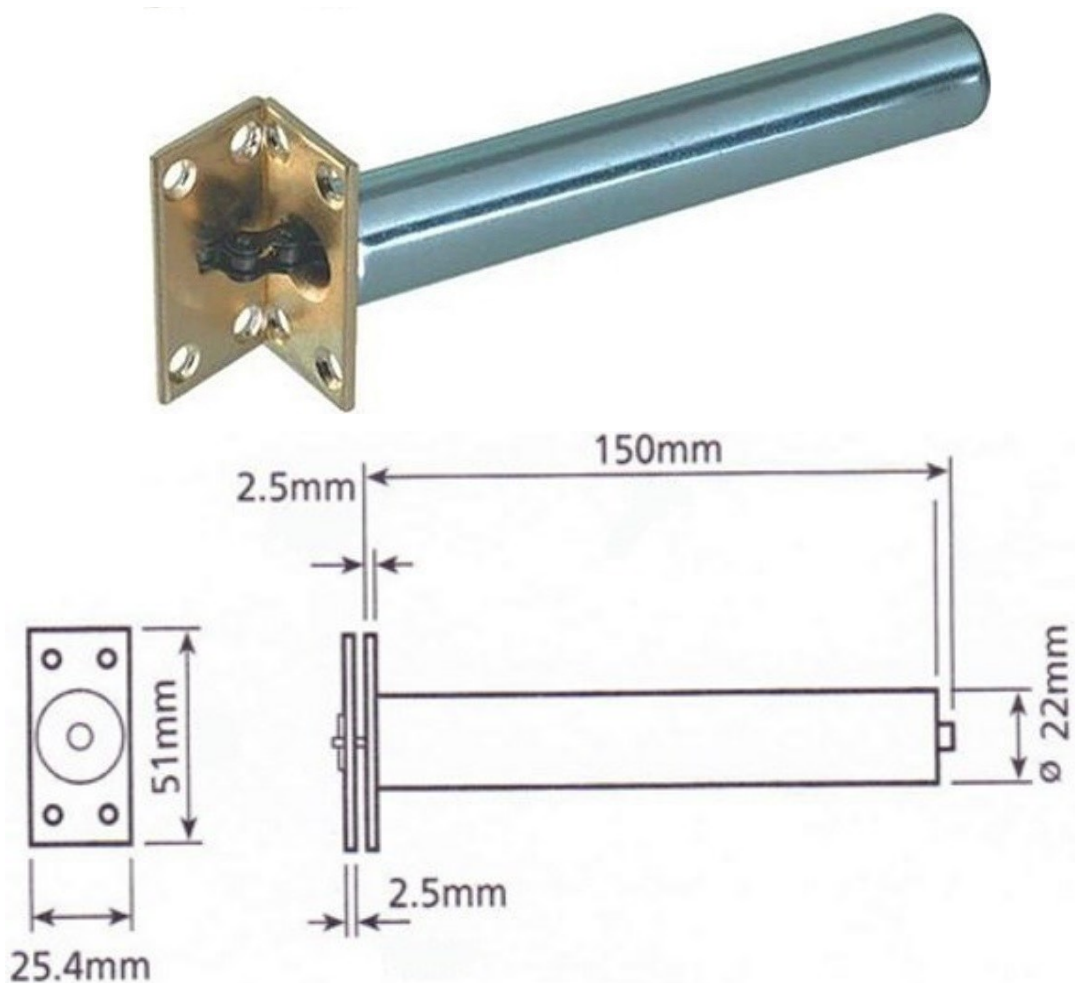


Concealed Door Closer, Perko

Features and Benefits



- * Concealed Door Closer
- * Reversible Fixing Plate
- * Suitable for internal doors up to 830mm wide
- * Suitable for internal doors up to 30-50kgs weight
- * Fire Tested 1/2 - 1 hour to BS476
- * Finish Chrome

Window & Door Accessories Ltd.

Richmond House, Newtown Avenue, Malahide Road Industrial Park, Dublin 17

Tel: 01-8670011 Fax: 01-8670011 Email: info@wdacc.ie Web: www.wdacc.ie

