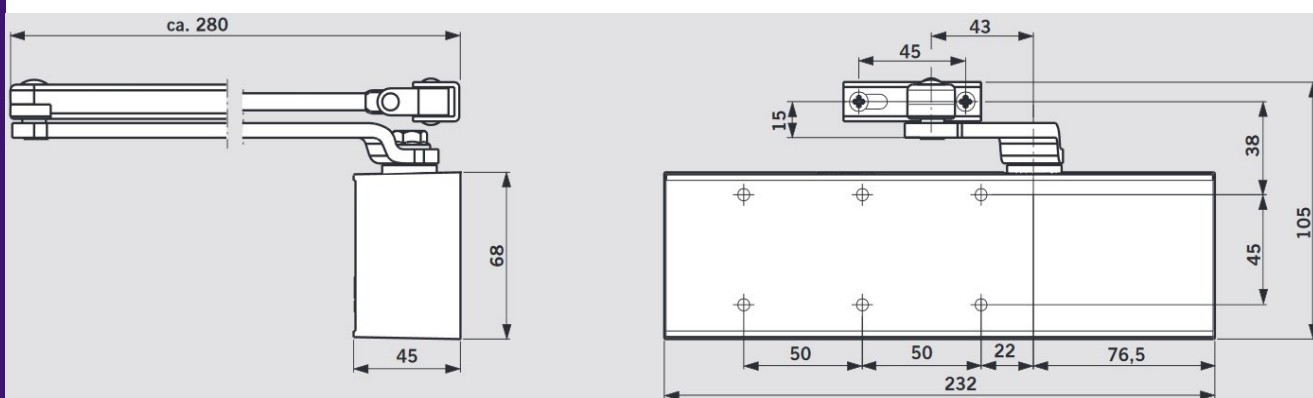


Features and Benefits

Door Closer, V-Arm, TS71



Data and features		TS 71
Spring strength (adjustable by turning round the hinge plate)	Size	EN 3/4
Standard doors ≤ 1100 mm ¹⁾		●
External doors, outward opening		–
Fire doors		●
Non-handed		●
Arm type	Standard	●
	Slide channel	–
Closing speed adjustable at 2 separate valves	180° – 15°	●
	115° – 10°	●
Latching action adjustable (by arm)		●
Backcheck		–
Delayed action		–
Hold-open		○
Weight in kg		1.2
Dimensions in mm	Length	232
	Overall depth	245
	Height	68
Door closer tested and approved to EN 1154		●
CE Marked		●

● = Yes – = No ○ = Option

With the TS 71, DORMA has developed a door closer that rounds off its Classic Line series perfectly.

The ease and speed with which it can be fixed, the fact that its spring strength can be so easily adapted to the door size.

- * Successfully third party tested to BS EN1154
- * CERTFIRE Approved CF268
- * Universal dual EN 3-4 sized non handed door closer
- * Non-handed
- * Door width up to 1100 mm
- * For single- and double-leaf doors



Window & Door Accessories Ltd.

Richmond House, Newtown Avenue, Malahide Road Industrial Park, Dublin 17

Tel: 01-8670011 Fax: 01-8670011 Email: info@wdacc.ie Web: www.wdacc.ie