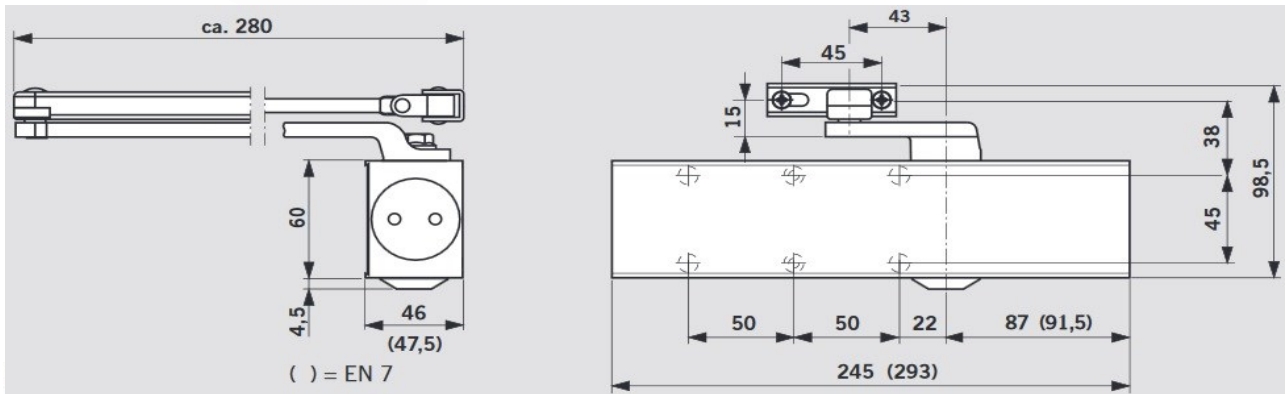


# Features and Benefits



## Door Closer, V-Arm, TS83

Variable closing force	Spring strength	EN 2-5	EN 3-6	EN 7
Standard doors <sup>1)</sup>	≤ 1250 mm	•	-	-
	≤ 1400 mm	-	•	-
	≤ 1600 mm	-	-	•
External doors, outward opening <sup>1)</sup>	≤ 1250 mm	•	-	-
	≤ 1400 mm	-	•	-
	≤ 1600 mm	-	-	•
Fire and smoke check doors <sup>1)</sup>	≤ 1250 mm	•	-	-
	≤ 1400 mm	-	-	-
	≤ 1600 mm	-	-	•
Non-handed		•	•	•
Arm assembly type	Standard	•	•	•
Closing force variable by means of adjustment screw		•	•	-
Closing speed adjustable at 2 separate valves	180° - 15°	•	•	-
	15° - 0°	•	•	-
Closing speed variable by means of valve adjustment		-	-	•
Adjustable latching action	by arm	•	•	•
Backcheck	self-regulating	•	•	•
	adjustable at valve	•	•	•
Delayed action variable at valve		○	○	-
Anti-corrosive model		-	○	-
Hold-open		○	○	○
Weight in kg		1.7	1.7	3.3
Dimensions in mm	Length	245	245	293
	Overall depth	46	46	47.5
	Height	60	60	60
Door closer tested to EN 1154		•	•	•
CE mark for construction products		•	•	•

• yes - no ○ option

DORMA TS 83 Door Closer with scissor arm, "thinking" backcheck and optional delayed action

The DORMA TS 83 can even be supplied with additional anti-corrosion protection,

for exposed applications or aggressive conditions.

\* Successfully third party tested to BS EN1154

\* CERTIFIRE Approved CF 118

\* Adjustable power to suit door widths up to 1400 mm / 1600 mm

\* For single- and double-leaf doors

\* Spring strength range EN 2-5 / EN 3-6

## Window & Door Accessories Ltd.

Richmond House, Newtown Avenue, Malahide Road Industrial Park, Dublin 17

Tel: 01-8670011 Fax: 01-8670011 Email: info@wdacc.ie Web: www.wdacc.ie

