

Features and Benefits



- * Product type: Set (handle/handle)
- * Version: Set with narrow backplate (3346)
- * Material: aluminium
- * Finish: F9016 traffic white
- * Keyhole: Euro profile cylinder
- * Hole distance: 92 mm
- * Door thickness: 56-70 mm
- * Spindle size: 8 mm

Technical Information

HOPPE aluminium handle on narrow backplate set for profile doors:

- * Bearing: fixed/movable door handles, maintenance-free slide bearing
- * Connection: HOPPE solid spindle
- * Base: stainless steel, supporting lugs
- * Fixing: visible inside, bolt-through, M5 thread screws, cover caps for screw heads



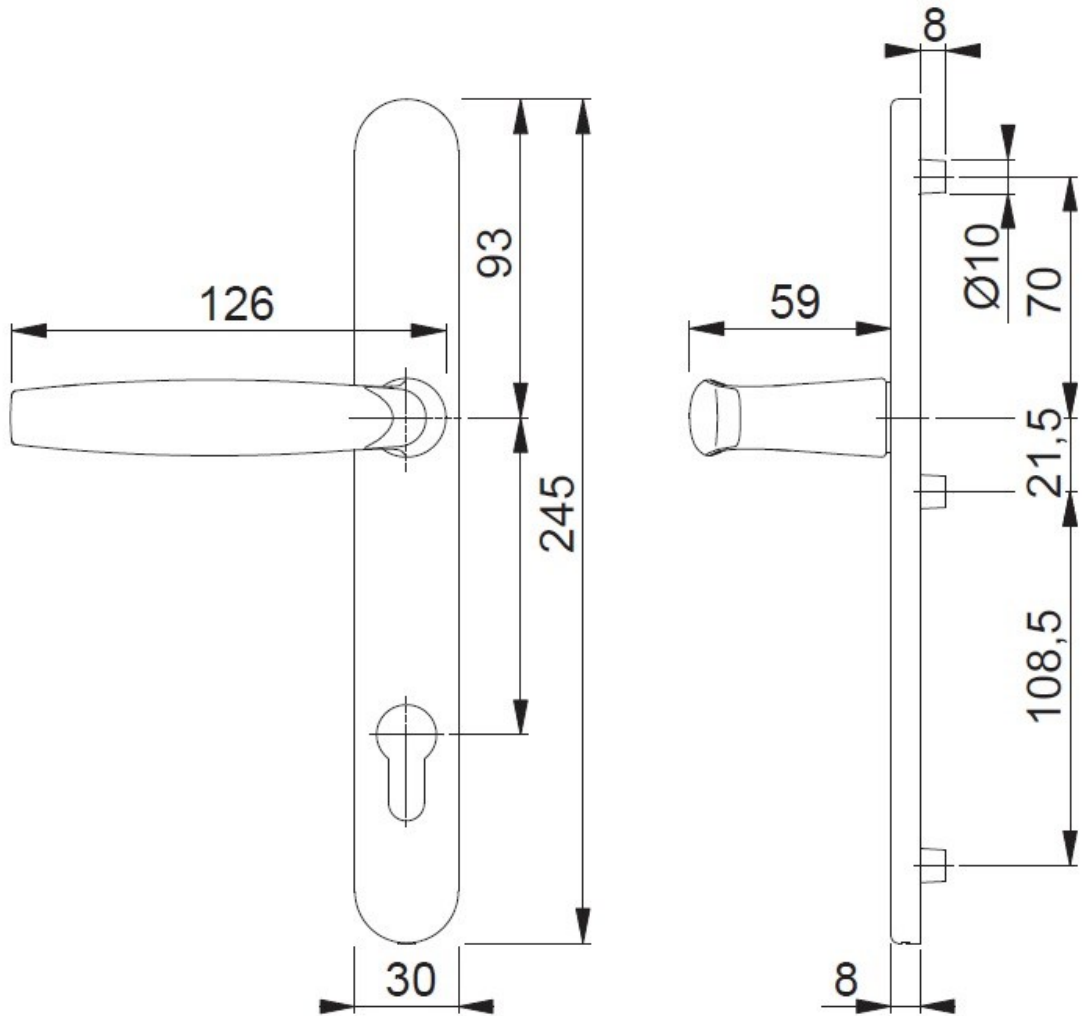
Window & Door Accessories Ltd.

Richmond House, Newtown Avenue, Malahide Road Industrial Park, Dublin 17

Tel: 01-8670011 **Fax:** 01-8670011 **Email:** info@wdacc.ie **Web:** www.wdacc.ie

Lever / Lever Handle, 3 Hole, 92mm

Technical Drawing



Product Codes

Lever Lever Handle 92mm 3 Hole	
Part No	Finish
B0118-3-92-WH	White
B0118-3-92-GO	Gold
B0118-3-92-BLK	Black
B0118-3-92-SF1	Silver



Window & Door Accessories Ltd.

Richmond House, Newtown Avenue, Malahide Road Industrial Park, Dublin 17

Tel: 01-8670011 Fax: 01-8670011 Email: info@wdacc.ie Web: www.wdacc.ie