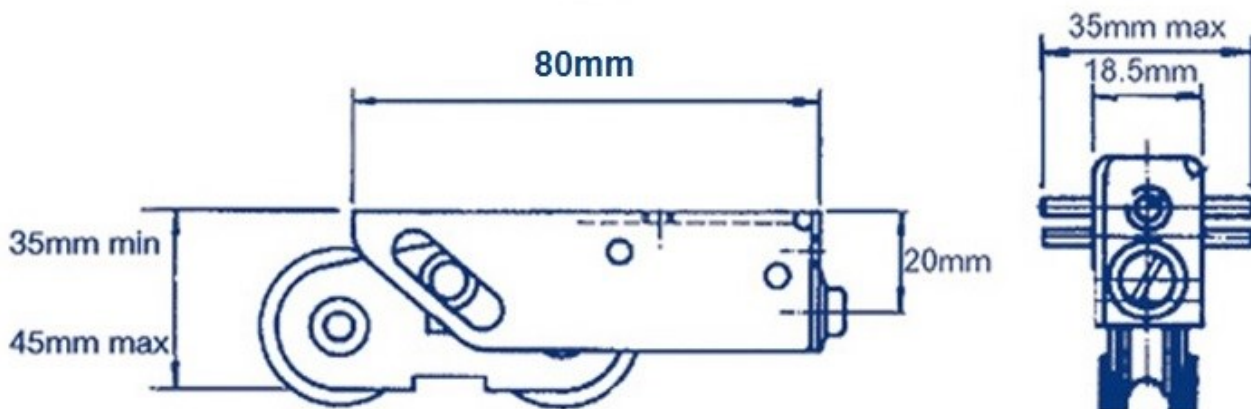


Features and Benefits



Product Codes

C7001-01-TAN	Patio Wheel, Steel, Tandem
--------------	----------------------------

Technical Information

Additional Information

Box Qty: 1 per box, Fit In pairs

Assessment Data

Performance tested to a minimum of 10,000 cycle or 12km.



Window & Door Accessories Ltd.

Richmond House, Newtown Avenue, Malahide Road Industrial Park, Dublin 17

Tel: 01-8670011 Fax: 01-8670011 Email: info@wdacc.ie Web: www.wdacc.ie