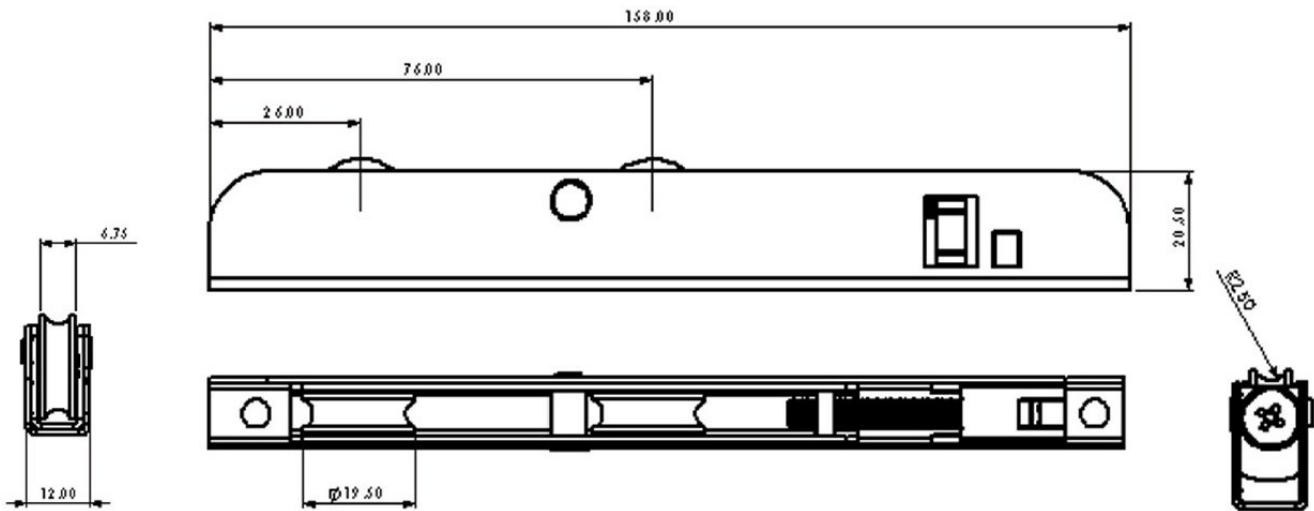


Features and Benefits



- * The ferritic case and rollers will withstand 96 hours neutral salt spray attack
- * Vertical adjustment of 8mm has been built in
- * BS EN ISO 9001/2008 Quality Management System



Product Codes

C7001-02-IN

Patio Wheel, Inline

Technical Information

Material Specification

Pressed steel 430 type st. steel
 Bearing wheel 430 type st. steel
 Axle 303 st. steel
 Nut & screw 430 type st. steel

Assessment Data

Performance: 50,000 endurance cycles. 120kgs door
 Corrosion resistance: BS EN 1670 Grade 3—96 Hours NSS

Additional Information

Box Qty: 1 per box, Fit In pairs

Window & Door Accessories Ltd.

Richmond House, Newtown Avenue, Malahide Road Industrial Park, Dublin 17

Tel: 01-8670011 Fax: 01-8670011 Email: info@wdacc.ie Web: www.wdacc.ie

