

Features and Benefits



- * Auto locking spring bolt (push to close)
- * Variable bolt length to suit door thickness
- * Rotate anti-clockwise to auto-unlock
- * Suitable for Timber, PVCu and Aluminium
- * Bolt 9mm diameter steel
- * Throw 19mm
- * Comprehensive range of finishes available, including
 - * White, Black, Bright Chrome, gold, Satin Chrome, Brushed Stainless
 - * Available in any unique RAL colour under special order
- * BS EN ISO 9001/2008 Quality Management system

Technical Information

Material Specification

Bolt Housing: Zinc Alloy to BS12844 (ZP3)

Body: Zinc Alloy to BS12844 (ZP3)

Bolt: Steel 9m DA, BS970-220 Zinc & Trivalent passivated

Spring: Steel

Additional Information

Box Qty: 25, individually packed in poly bags.

Assessment Data

Corrosion resistance – NSS 96 Hours

BS EN 1670-1998 Grade 3

Window & Door Accessories Ltd.

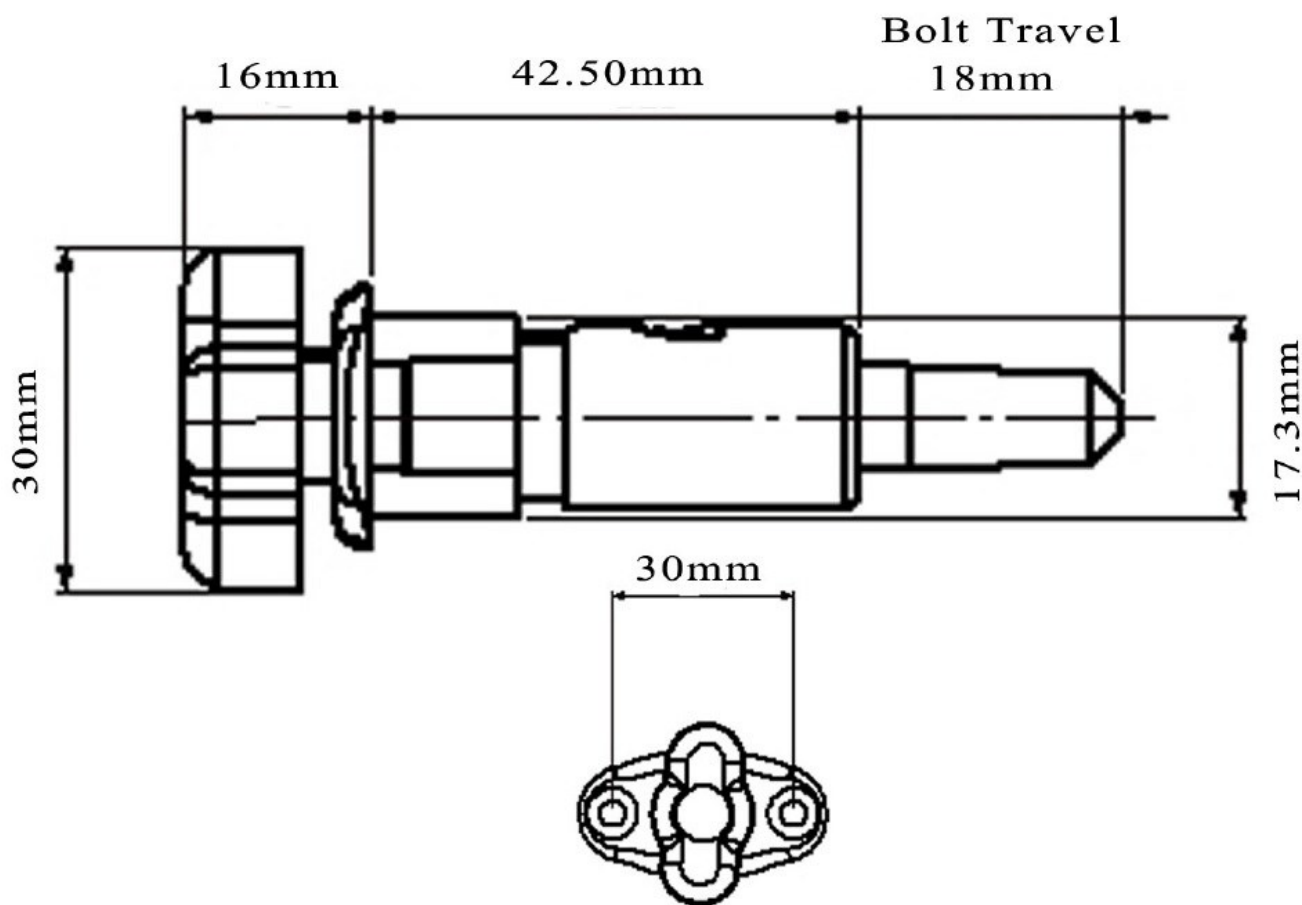
Richmond House, Newtown Avenue, Malahide Road Industrial Park, Dublin 17

Tel: 01-8670011 **Fax:** 01-8670011 **Email:** info@wdacc.ie **Web:** www.wdacc.ie



Patio Door Spring Bolt

Technical Drawing



Product Codes

Patio Door Spring Bolt	
Part No	Finish
C3101-19-WH	White
C3101-19-BCH	Bright Chrome
C3101-19-BRW	Brown
C3101-19-BLK	Black
C3101-19-GLD	Gold



Window & Door Accessories Ltd.

Richmond House, Newtown Avenue, Malahide Road Industrial Park, Dublin 17

Tel: 01-8670011 Fax: 01-8670011 Email: info@wdacc.ie Web: www.wdacc.ie