

Features and Benefits



- * Stronghold patio door lock is designed to achieve
- * PAS024 door security standard
- * 6 Hook lock – Enclosing hooks
- * Profile cylinder locking
- * Hooks in pairs for added security
- * Non-handed for reduced stocking
- * Profile related one-piece keeps available
- * Mishandling device and additional Anti-lift bolt
- * Assists keep setting
- * Suitable for UPVC, Aluminium and Timber
- * Euro-groove applications
- * Shootbolt to head option
- * All exposed components are made of 430 stainless steel
- * BS EN ISO9001/2008 Quality Management System

Technical Information

Material Specification

Pressing: Stainless Steel 430
Casting: Zinc Alloy to BS EN 12844
Zinc Part: Zinc Plated & Trivalent Passivated

Additional Information

Box Qty: 10 per box
Patio Keep, End Caps ordered separately

Assessment Data

Performance: Tested to 100,000 cycles
Corrosion resistance: BS EN 1670 Grade 4 – 240 NSS
SBD approved with leading Patio manufacture

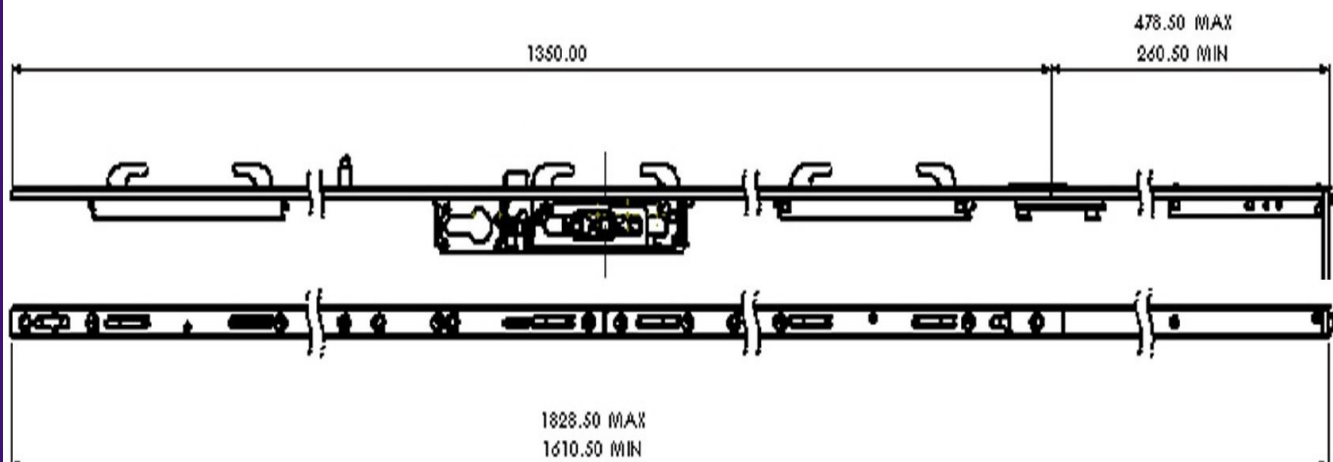
Window & Door Accessories Ltd.

Richmond House, Newtown Avenue, Malahide Road Industrial Park, Dublin 17

Tel: 01-8670011 Fax: 01-8670011 Email: info@wdacc.ie Web: www.wdacc.ie



Technical Drawing



Product Codes

Sliding Patio Door Lock, For UPVC/Aluminium/Timber Euro Profile Doors	
Part No	Description
C0101-06-28	6Hook, B/Set 28mm, S/Steel

Also available - *Profile Related Keeps*



Window & Door Accessories Ltd.

Richmond House, Newtown Avenue, Malahide Road Industrial Park, Dublin 17

Tel: 01-8670011 Fax: 01-8670011 Email: info@wdacc.ie Web: www.wdacc.ie