

Features and Benefits



- * Handles designed for sliding patio doors
- * Dummy versions available
- * Screw and spindle pack suitable for 47-60mm profiles
- * Security is covered by a downward operating lever
- * With a separate key deadlocking facility
- * Common fixing holes make production easier and the
- * Non-handed design keeps stocking to a minimum
- * Screw heads are colour matched to handle
- * Comprehensive range of finishes including White, Black, PVD Chrome, PVD Gold
- * BS EN ISO9001/2008 Quality Management System

Technical Information

Material Specification

Handle/Backplate: Zinc Alloy to BS EN 12844

Lever Assembly: Zinc Alloy to BS EN 12844

Assessment Data

Performance: Tested to 100,000 cycles

Corrosion resistance: BS EN 1670 Grade 4 – 240 NSS

Additional Information

Box Qty: 1 per box

Accessories: Screws & Spindle specified to suit finish & profile

Window & Door Accessories Ltd.

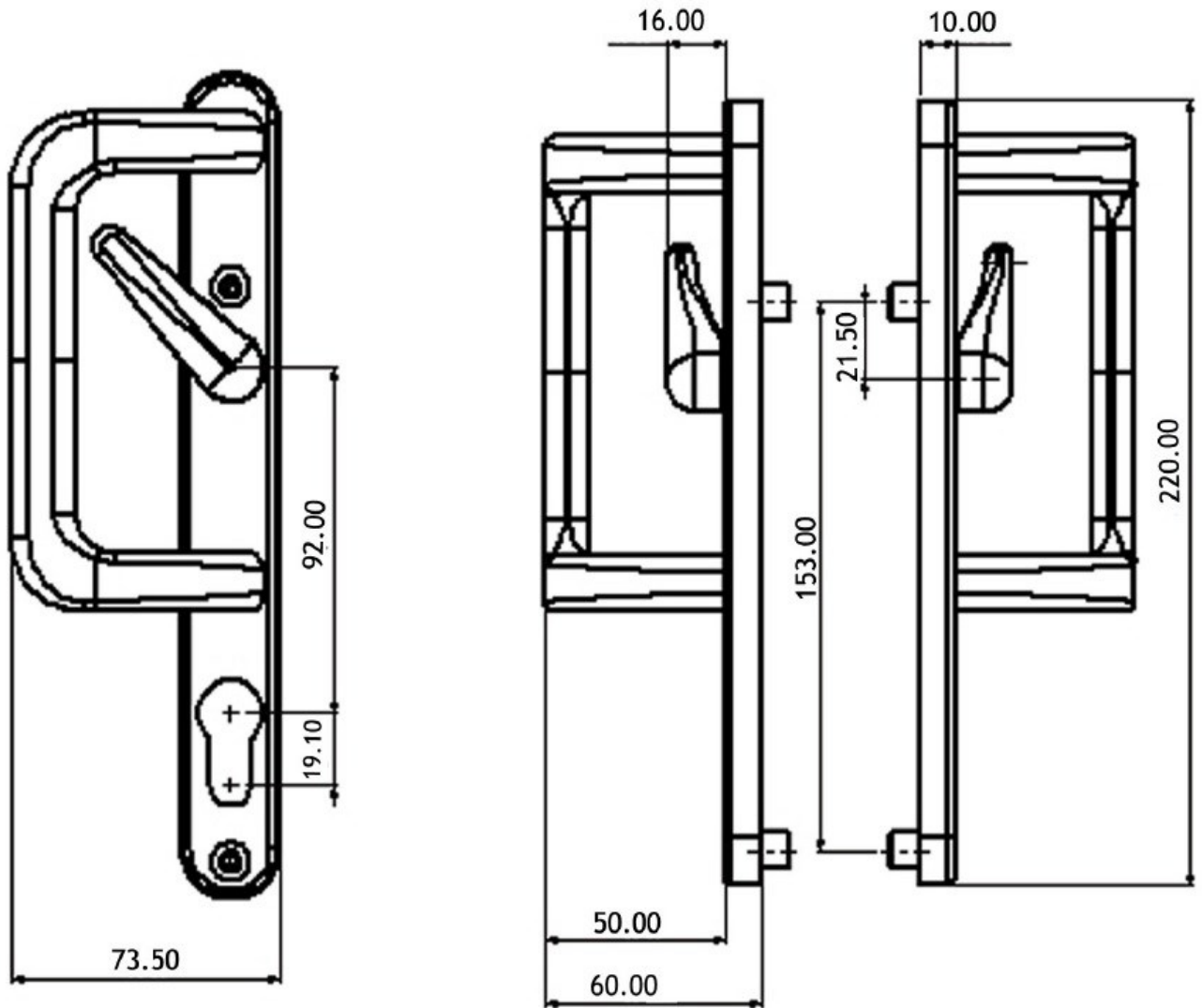
Richmond House, Newtown Avenue, Malahide Road Industrial Park, Dublin 17

Tel: 01-8670011 **Fax:** 01-8670011 **Email:** info@wdacc.ie **Web:** www.wdacc.ie



Patio Door Handle, Sliding Door

Technical Drawing



Product Codes

Patio Door Handle, Sliding Door		
Part No	Hand	Finish
C1101-01-WH-LH	L/H	White
C1101-01-BLK-LH	L/H	Black
C1101-01-PVDG-LH	L/H	PVD Gold
C1101-01-PVDCH-LH	L/H	PVD Chrome

Patio Door Handle, Sliding Door		
Part No	Hand	Finish
C1101-01-WH-RH	R/H	White
C1101-01-BLK-RH	R/H	Black
C1101-01-PVDG-RH	R/H	PVD Gold
C1101-01-PVDCH-RH	R/H	PVD Chrome

Also available in a dummy version



Window & Door Accessories Ltd.

Richmond House, Newtown Avenue, Malahide Road Industrial Park, Dublin 17

Tel: 01-8670011 Fax: 01-8670011 Email: info@wdacc.ie Web: www.wdacc.ie