

Features and Benefits



Zinc



Plastic

- * Choose from 2 options, Plastic or Mazak
- * Plastic version is adaptable, fitting horizontally or vertically and comes in white or brown finishes
- * Mazak version only fit horizontally and comes in White, brown and black
- * Screw fixings are specially concealed
- * BS EN ISO9001/2008 Quality Management System

Technical Information

Material Specification

Zinc Alloy casting to BS EN 12844

Location peg 303 stainless steel

Plastic moulding UV stable

Black PVCu bung

Additional Information

Box Qty: 25 units

Assessment Data

Base material suitable for 240 hours

NSS BS EN 1670

Window & Door Accessories Ltd.

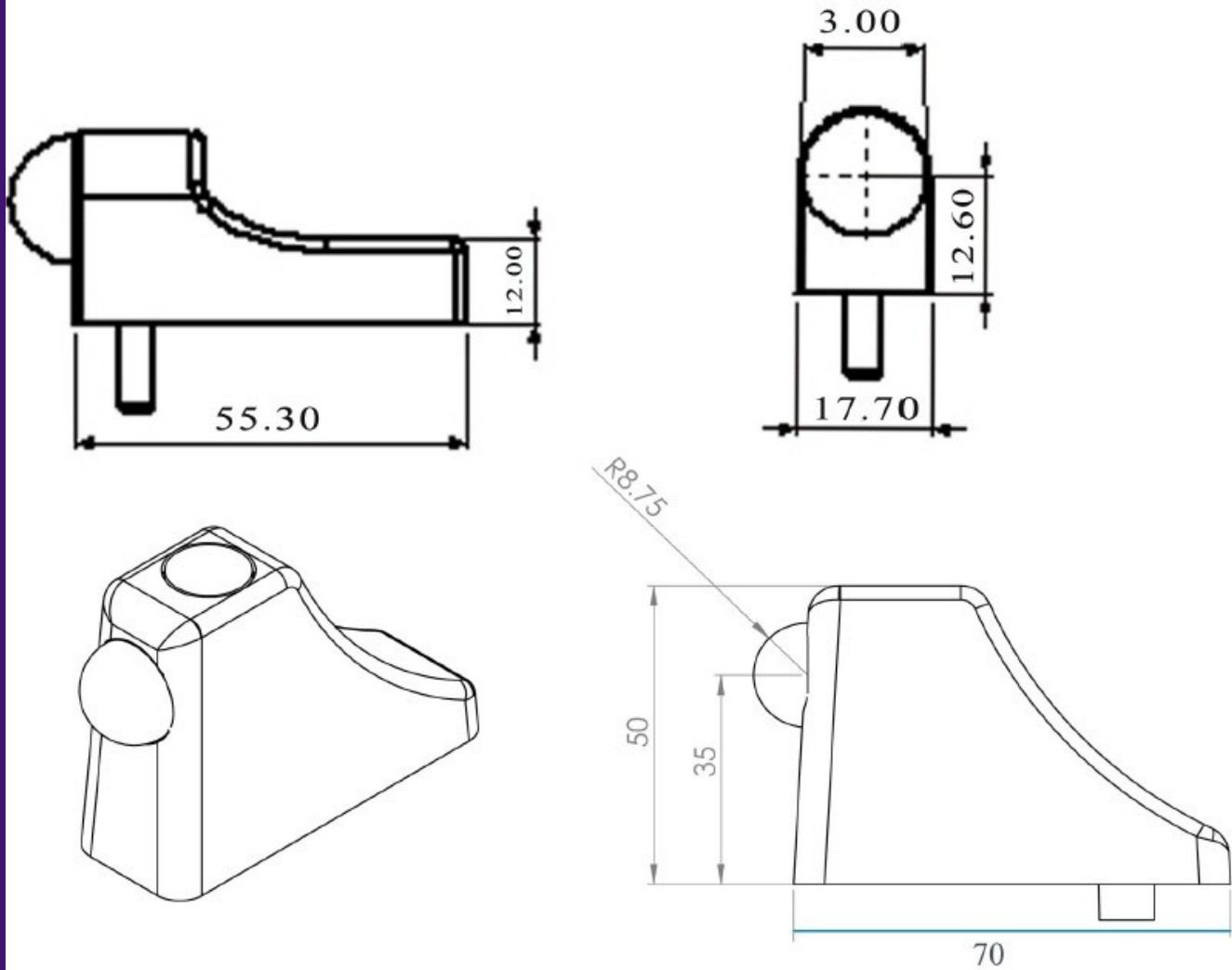
Richmond House, Newtown Avenue, Malahide Road Industrial Park, Dublin 17

Tel: 01-8670011 Fax: 01-8670011 Email: info@wdacc.ie Web: www.wdacc.ie



Technical Drawing

Patio Door Stop



Product Codes

Patio Bump Stop, Plastic	
Part No	Finish
C2101-01-WH	White
C2101-01-BLK	Black

Patio Bump Stop, Mazak	
Part No	Finish
C2121-01-WH	White
C2121-01-BLK	Black
C2121-01-CRM	Cream
C2121-01-BRW	Brown

Window & Door Accessories Ltd.

Richmond House, Newtown Avenue, Malahide Road Industrial Park, Dublin 17

Tel: 01-8670011 Fax: 01-8670011 Email: info@wdacc.ie Web: www.wdacc.ie

