

Features and Benefits



- * Suitable for Timber, Steel, Aluminium or PCVu profiles.
- * BBA accredited.
- * Available in 9mm, 10.5mm, 13mm, 17mm, 21mm spur backset.
- * Engineered with a firm grip.
- * Available in locking and non-locking variants
- * Comprehensive range of finishes including White, Black, Gold, Satin Chrome and unique RAL colours to order.
- * BS EN ISO 9001/2008 Quality Management System

Technical Information

Material Specification

Handle/Backplate: Zinc Alloy to BS EN 12844 (ZP3)

Barrel Assembly: Zinc Alloy to BS EN 12844 (ZP3)

Zinc Plate & Trivalent Passivate

Key: Mild Steel to BS970 220—Finish Nickel Plate.

Moulding Polypropylene—Finish White RAL 9016, Grey RAL 9037, Black RAL 9005 & Green UN6969

Additional Information

Box Qty: 25 per box

Accessories: Screw Cover & 1 Key (If Applicable)

Assessment Data

Performance: 50,000 endurance cycles

Corrosion resistance: NSS 240 Hour



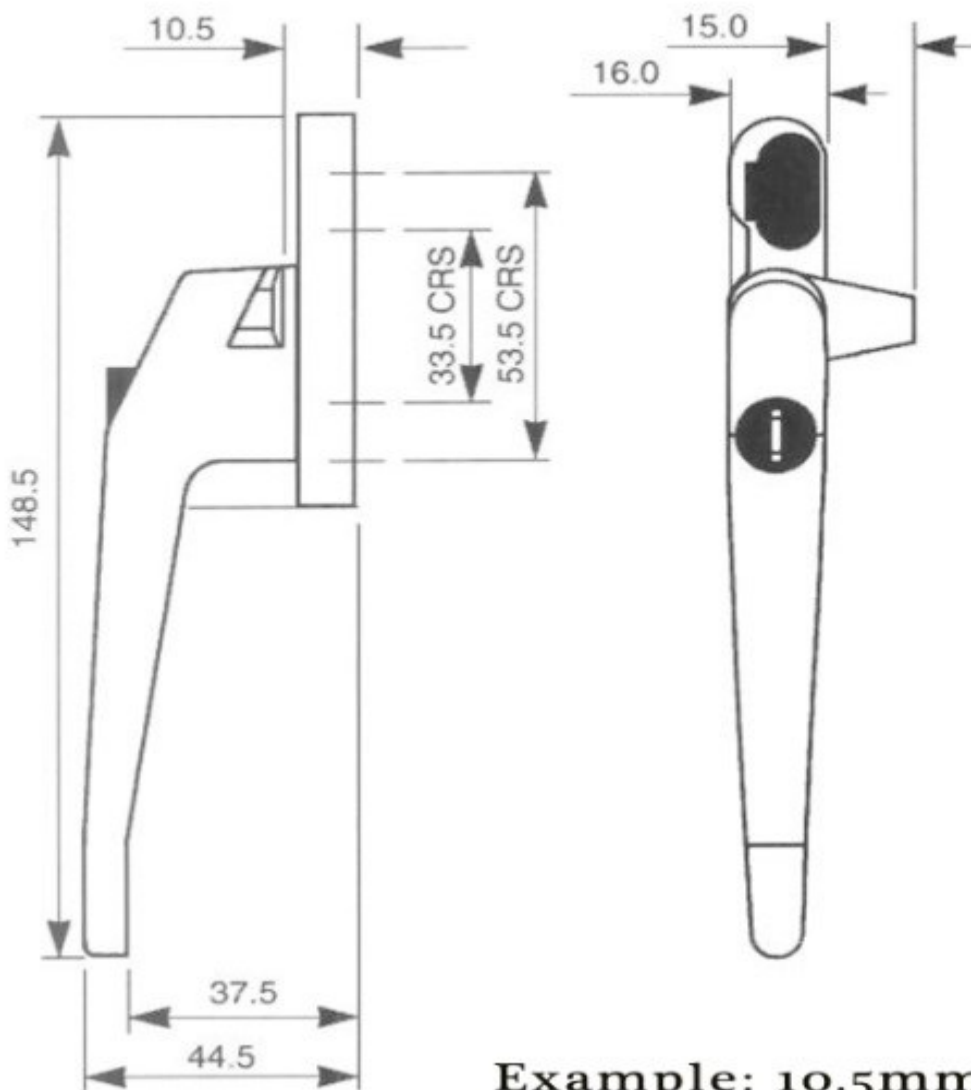
Window & Door Accessories Ltd.

Richmond House, Newtown Avenue, Malahide Road Industrial Park, Dublin 17

Tel: 01-8670011 Fax: 01-8670011 Email: info@wdacc.ie Web: www.wdacc.ie

Cockspur Window Handle

Technical Drawing



Example: 10.5mm Cockspur

Product Codes

9mm Cockspur Handle		
Part No	Hand	Finish
A0101-09-L-WH	L/H	White
A0101-09-R-WH	R/H	White
A0101-09-L-BLK	L/H	Black
A0101-09-R-BLK	R/H	Black
A0101-09-L-BC	L/H	B/Chrome
A0101-09-R-BC	R/H	B/Chrome

21mm Cockspur Handle		
Part No	Hand	Finish
A0101-21-L-WH	L/H	White
A0101-21-R-WH	R/H	White
A0101-21-L-BLK	L/H	Black
A0101-21-R-BLK	R/H	Black
A0101-21-L-BC	L/H	B/Chrome
A0101-21-R-BC	R/H	B/Chrome

Also available in - *10.5mm, 13mm, 17mm step* * Vast range of colours* *Locking or Non-Locking*



Window & Door Accessories Ltd.

Richmond House, Newtown Avenue, Malahide Road Industrial Park, Dublin 17

Tel: 01-8670011 Fax: 01-8670011 Email: info@wdacc.ie Web: www.wdacc.ie