

## Features and Benefits



- \* Suitable for use on buildings such as hospitals, mental health centres, detention centres and prisons.
- \* Designed to reduce ligature risk.
- \* Fit standard espagnolette window gear.
- \* 43mm fixing centres.
- \* Controlled opening with key.
- \* Comprehensive range of finishes including White, Black, Bright Chrome, Gold, Satin Chrome, Brushed Stainless Steel. Unique RAL colours to order.
- \* BS EN ISO 9001/2008 Quality Management Systems.

### Technical Information

#### Material Specification

Handle/Backplate: Zinc Alloy to BS EN 12844 (ZP3).

Key: Zinc Alloy – Finish Zinc Plate & Trivalent Passivate.

Spindle: Mild Steel to BS 970 220 – Finish Zinc Plate & Trivalent Passivate.

Moulding Polypropylene Finish White RAL 9016, Grey RAL 9037, Black RAL 9005 & Green

#### Additional Information

Box Qty: 1 per box.



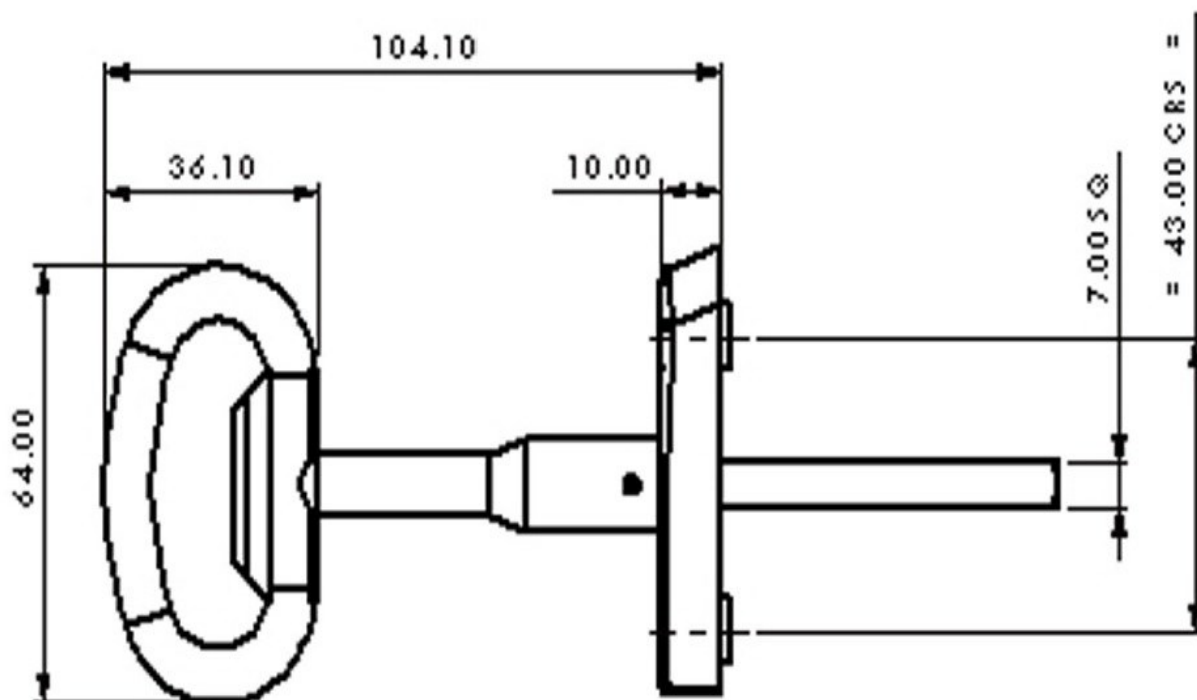
## Window & Door Accessories Ltd.

Richmond House, Newtown Avenue, Malahide Road Industrial Park, Dublin 17

Tel: 01-8670011 Fax: 01-8670011 Email: [info@wdacc.ie](mailto:info@wdacc.ie) Web: [www.wdacc.ie](http://www.wdacc.ie)

# Anti Ligature Spindle Drive

## Technical Drawing



### Product Codes

Anti Ligature Spindle Drive		
Part No	Hand	Finish
A0650-67-BLK	67mm Spindle	Black
A0650-67-GLD	67mm Spindle	Gold
A0650-67-SC	67mm Spindle	S/Chrome
A0650-67-SF1	67mm Spindle	Silver
A0650-67-WH	67mm Spindle	White



## Window & Door Accessories Ltd.

Richmond House, Newtown Avenue, Malahide Road Industrial Park, Dublin 17

Tel: 01-8670011 Fax: 01-8670011 Email: [info@wdacc.ie](mailto:info@wdacc.ie) Web: [www.wdacc.ie](http://www.wdacc.ie)