

Features and Benefits



- * No Cropping, simple to install.
- * Twin adjustable mushroom cams.
- * 62mm robust unhandled die-cast gearbox.
- * Fits most euro-groove applications.
- * Profile related keep with night vent facility – Steel tops – Handed LH/RH.
- * 20mm & 22mm Backset.
- * 7.7mm and 9.5m Cam height.
- * Bar sizes from 280mm to 1400mm.
- * Unidirectional twin locking.
- * BS EN ISO 9001/2008 Quality Management System

Technical Information

Assessment Data

Performance: Tested to 100,000 cycles.
Corrosion resistance: Minimum of 240 hours salt spray testing, exceeding the requirements of BS 7412 Grade 4.
Designed to meet BS 7950 test criteria.

Additional Information

Additional Information
Box Qty: 20 per box.

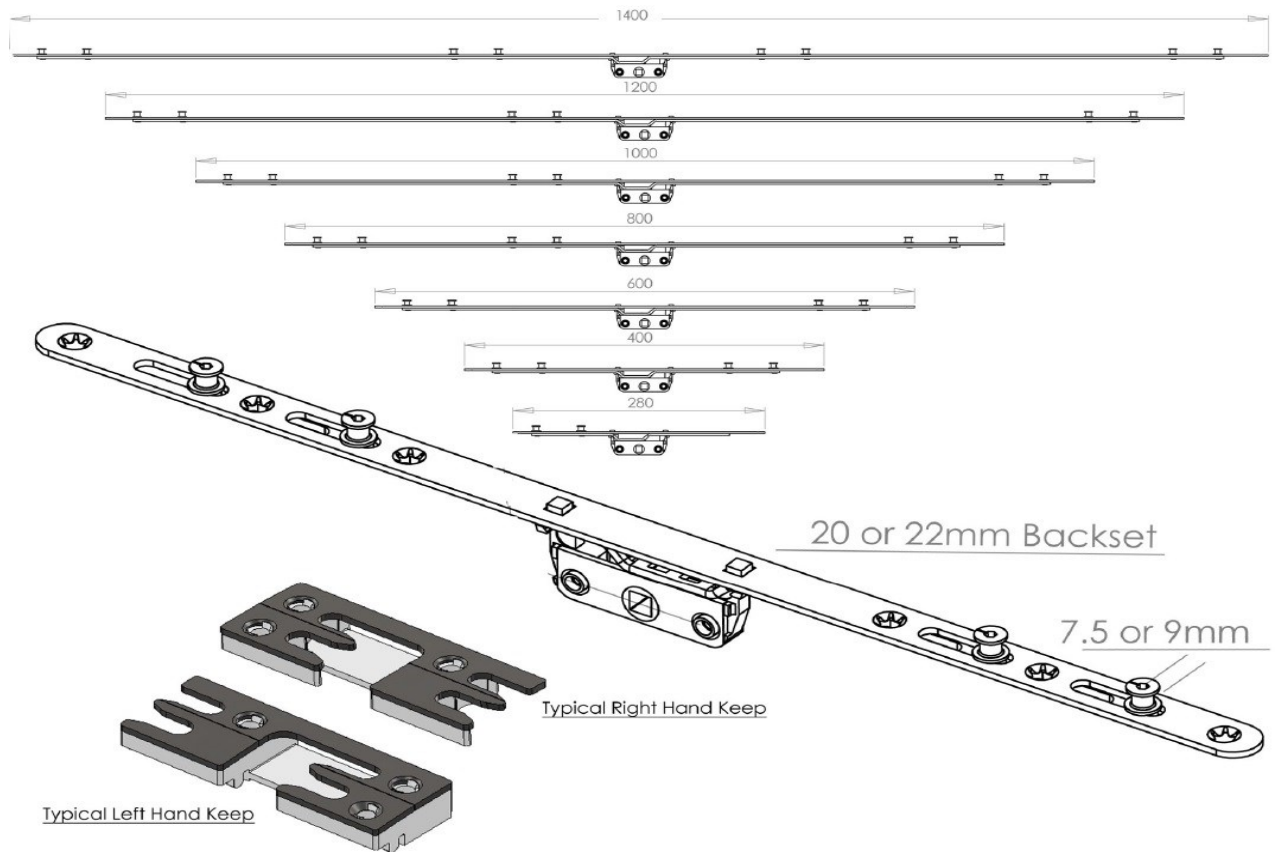


Window & Door Accessories Ltd.

Richmond House, Newtown Avenue, Malahide Road Industrial Park, Dublin 17

Tel: 01-8670011 Fax: 01-8670011 Email: info@wdacc.ie Web: www.wdacc.ie

Technical Drawing



Interceptor Espag

Part No	20mm Back set	22mm Back set	Part No.
A1001-20-280	9mm Cam, L=280mm	9mm Cam, L=280mm	A1002-22-280
A1001-20-400	9mm Cam, L=400mm	9mm Cam, L=400mm	A1002-22-400
A1001-20-600	9mm Cam, L=600mm	9mm Cam, L=600mm	A1002-22-600
A1001-20-800	9mm Cam, L=800mm	9mm Cam, L=800mm	A1002-22-800
A1001-20-1000	9mm Cam, L=1000mm	9mm Cam, L=1000mm	A1002-22-1000
A1001-20-1200	9mm Cam, L=1200mm	9mm Cam, L=1200mm	A1002-22-1200
A1001-20-1400	9mm Cam, L=1400mm	9mm Cam, L=1400mm	A1002-22-1400



Window & Door Accessories Ltd.

Richmond House, Newtown Avenue, Malahide Road Industrial Park, Dublin 17

Tel: 01-8670011 Fax: 01-8670011 Email: info@wdacc.ie Web: www.wdacc.ie