

## Features and Benefits



- \* Centurion is an adaptable locking system providing high levels of security whilst also satisfying the demand for cost effective production.
- \* Simple to install.
- \* Multipoint locking system ensures each window is sealed against weather and unwanted visitors.
- \* Robust unhanded die-cast gearbox, Patented Technology.
- \* BBA approved – Supported by an Insurance-backed guarantee scheme.
- \* Steel Shootbolts.
- \* Fits all Eurogroove systems.
- \* Profile related keep with night vent facility.
- \* 10 Year Guarantee.

### Technical Information

#### Material Specification

Cover Plate: Zinc ZP5 Passivate & Seal.

Face Bar: Mild Steel CR3 Passivate & Seal

Gearbox Components: Zinc ZP5 Passivate & Seal.

Rollers: Mild Steel CR6 Passivate & Seal.

Actuator Bar: Mild Steel CR6 Passivate & Seal.

Keeps: Zinc ZP5 Passivate & Seal

#### Additional Information

Box Qty: 20pcs

Profile related keeps available for maximum flexibility and security

#### Assessment Data

Successfully tested to BS 7950 and BBA approved, Centurion meets and exceeds all the current security and life cycle test requirements

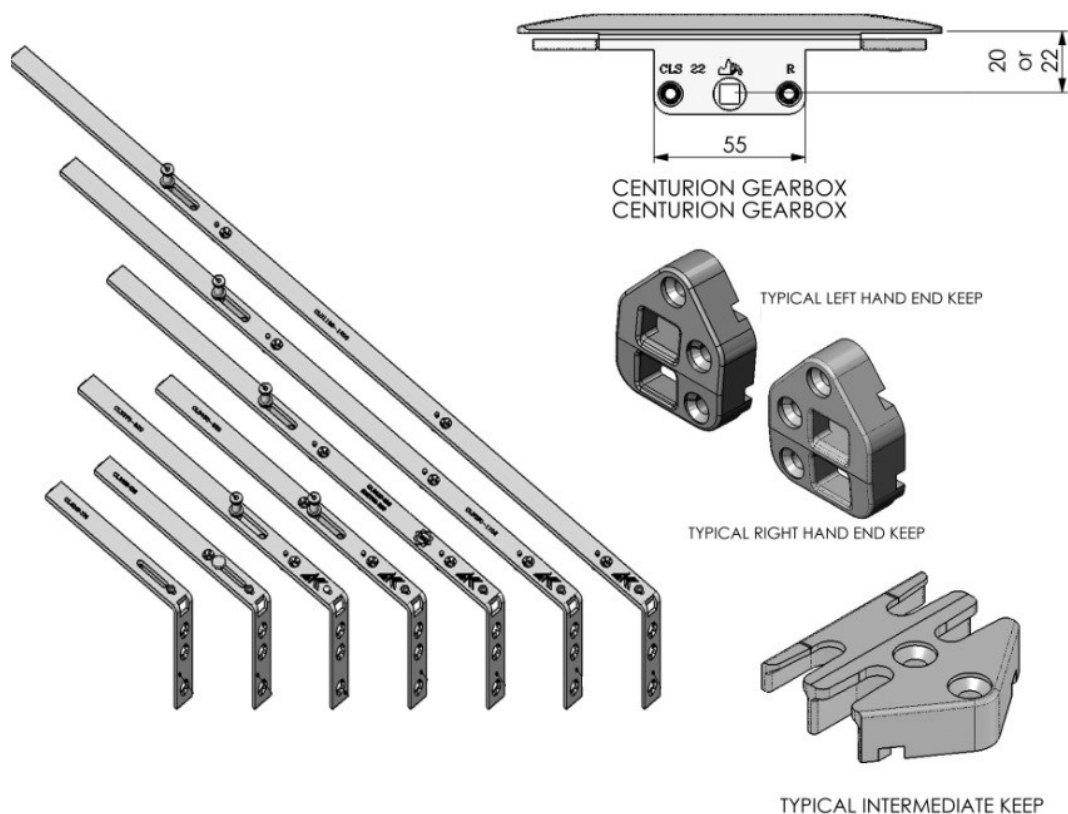


## Window & Door Accessories Ltd.

Richmond House, Newtown Avenue, Malahide Road Industrial Park, Dublin 17

Tel: 01-8670011 Fax: 01-8670011 Email: [info@wdacc.ie](mailto:info@wdacc.ie) Web: [www.wdacc.ie](http://www.wdacc.ie)

## Technical Drawing



### Product Codes

Centurion Shootbolt		
Description	Size	Part Number
Centurion Gearbox 20mm Backset	-	A1501-20
Centurion Gearbox 22mm Backset	-	A1501-22
Centurion Shootbolt Arm, Central Cam, Single Rebate	1160-14	A1502-1160
Centurion Shootbolt Arm, Central Cam, Single Rebate	240-370	A1502-240
Centurion Shootbolt Arm, Central Cam, Single Rebate	379-639	A1502-379
Centurion Shootbolt Arm, Central Cam, Single Rebate	639-899	A1502-639
Centurion Shootbolt Arm, Central Cam, Single Rebate	895-116	A1502-895



## Window & Door Accessories Ltd.

Richmond House, Newtown Avenue, Malahide Road Industrial Park, Dublin 17

Tel: 01-8670011 Fax: 01-8670011 Email: [info@wdacc.ie](mailto:info@wdacc.ie) Web: [www.wdacc.ie](http://www.wdacc.ie)