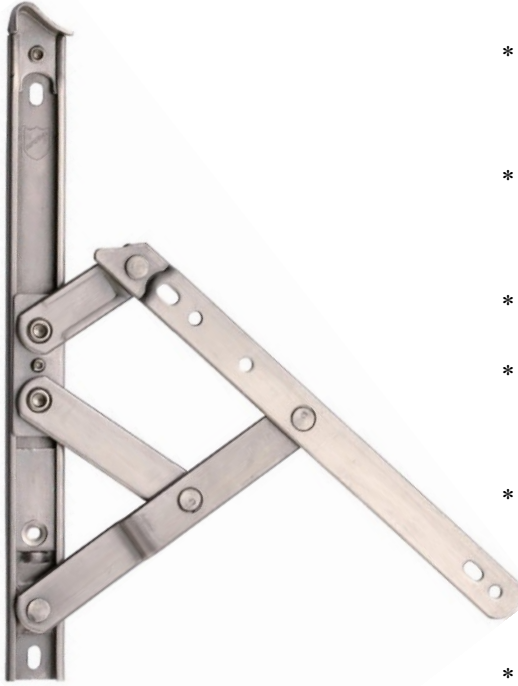


## Features and Benefits



- \* Range of stainless steel Egress friction stays for top hung and side hung applications.
- \* Metal end caps for more robust and accurate sealings.
- \* Available in 17mm stack height.
- \* Available in 10" to 26" Top hung and 10" to 16" side hung.
- \* 16 and 22" top hung also available with reinforced third link to pass the "blocked shoe" test supplied as standard on 26" top hung
- \* 10" to 16" side hung open around 90 degrees for easy cleaning of windows.
- \* Adjustable opening stop on top hung hinges.
- \* 10 year mechanical guarantee.
- \* BS EN ISO 9001/2008 Quality Management System.

### Material Specification

Stainless Steel Grade 430

### Assessment Data

Performance: 10,000 cycle guarantee.

### Additional Information

Box Qty: 25 pairs per box

### Product Codes

Part Number	Normal Size		Opening Angle	Max. Vent Weight	Max. Vent Width	Min. Vent Width
A3031-17-TH-10	10" (250mm)	Top Hung	50 Deg.	37kg	25" (635mm)	10.5" (267mm)
A3031-17-TH-12	12" (250mm)	Top Hung	50 Deg.	45kg	30.9" (787mm)	25" (635mm)
A3031-17-TH-16	16" (250mm)	Top Hung	50 Deg.	55kg	42.9" (1090mm)	31" (787mm)
A3031-17-TH-22	22" (250mm)	Top Hung	45 Deg.	75kg	59" (1500mm)	42.9" (1090mm)
A3031-17-TH-26	26" (250mm)	Top Hung	20 Deg.	100kg	78.7" (2000mm)	50" (1270mm)
A3032-17-SH-12	10" (250mm)	Side Hung	85 Deg.	38g	26" (660mm)	11.81" (300mm)
A3032-17-SH-16	16" (250mm)	Side Hung	90 Deg.	47kg	33" (838mm)	17.72" (450mm)



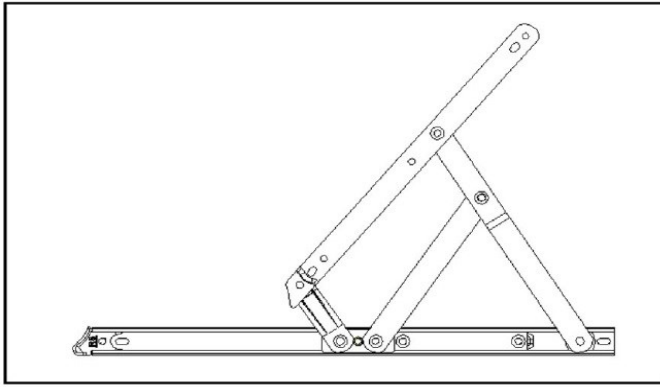
## Window & Door Accessories Ltd.

Richmond House, Newtown Avenue, Malahide Road Industrial Park, Dublin 17

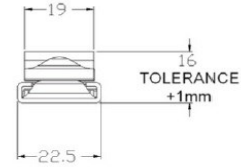
Tel: 01-8670011 Fax: 01-8670011 Email: info@wdacc.ie Web: www.wdacc.ie

# Heavy Duty Friction Hinge

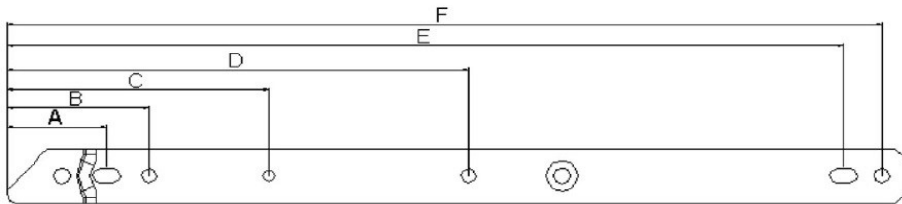
# Technical Drawing



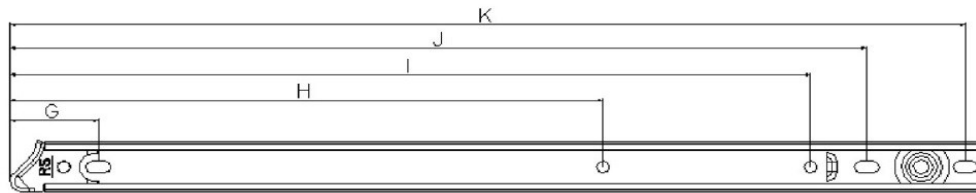
MIN/MAX WORKING CLEARANCE



EXAMPLE  
16mm STACK  
MIN. 16mm  
MAX. 17mm



Top view of fourth arm vent fixing holes



Underside of channel fixing hole

## Fixing Hole Details

Part No	A	B	C	D	E	F	G	H	I	J	k
A3031-17-TH-10	32.5	46.5	73.5	-	197.5	210	35.5	-	206.5	-	254
A3032-17-SH-10	32.5	46.5	66.5	-	198	210.7	35.5	-	213.5	-	254
A3031-17-TH-12	32.5	46.5	97.5	-	223	235.5	35.5	-	248	-	304
A3031-17-TH-16	32.5	46.5	151.2	-	274.2	286.7	35.5	251	339	-	406.5
A3032-17-SH-16	32.5	46.5	97.5	-	274.5	287	35.5	-	339.5	-	406.5
A3031-17-TH-22	32.5	46.5	97.5	236.5	350.5	363	35.5	287.5	453.5	-	558
A3031-17-TH-26	37.5	51.5	93.5	331.5	453	465.5	35.5	-	350	600	672



## Window & Door Accessories Ltd.

Richmond House, Newtown Avenue, Malahide Road Industrial Park, Dublin 17

Tel: 01-8670011 Fax: 01-8670011 Email: info@wdacc.ie Web: www.wdacc.ie