

Features and Benefits



- * Range of stainless steel Egress friction stays for side hung applications.
- * Suitable for PVC-u, aluminium and timber windows.
- * Metal end caps for more robust and accurate sealings.
- * Available in both 13mm and 17mm stack heights to suit most common casement profiles.
- * Available in 12" and 16" side hung variations.
- * 10 year mechanical guarantee.
- * BS EN ISO 9001/2008 Quality Management

Technical Information

Material Specification

Stainless Steel Grade 430

Assessment Data

Performance: 30,000 cycle guarantee.
240 Hours corrosion resistance.

Additional Information

Box Qty: 25 per box

Window & Door Accessories Ltd.

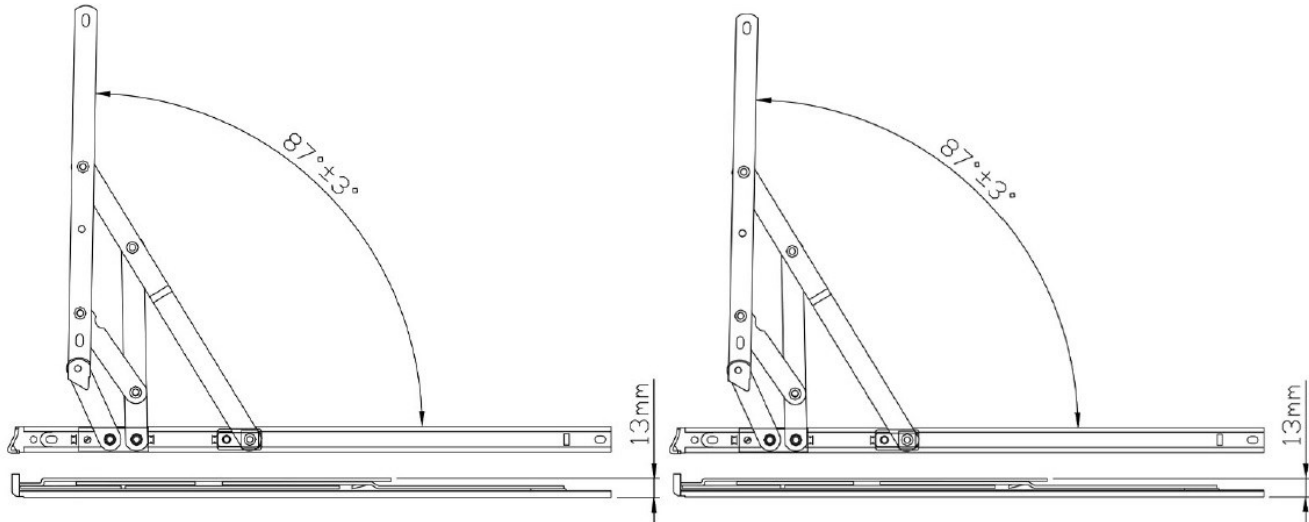
Richmond House, Newtown Avenue, Malahide Road Industrial Park, Dublin 17

Tel: 01-8670011 **Fax:** 01-8670011 **Email:** info@wdacc.ie **Web:** www.wdacc.ie



Technical Drawing

Egress Friction Hinge



Vent Size & Type	12" - Side Hung	16" - Side Hung
Max Vent Width	600mm	600mm
Max Vent Height	1250mm	1300mm
Max Vent Weight	20kgs	24kgs
Opening Angle	85 Deg.	85 Deg.
Min Vent Height	300mm	400mm

Product Codes

12" Egress Friction Hinge		
Part No	Stack Height	Finish
A2201-13-SH-12	13mm	S/Steel (430)
A2201-13-SH-16	17mm	S/Steel (430)

16" Egress Friction Hinge		
Part No	Stack Height	Finish
A3201-17-SH-12	13mm	S/Steel (430)
A3201-17-SH-16	17mm	S/Steel (430)

Window & Door Accessories Ltd.

Richmond House, Newtown Avenue, Malahide Road Industrial Park, Dublin 17

Tel: 01-8670011 Fax: 01-8670011 Email: info@wdacc.ie Web: www.wdacc.ie

