

Features and Benefits



- * Range of stainless steel friction stays for top hung and side hung applications.
- * BBA Approved – BBA Assessment Report S2/45654.
- * Available in both 13mm and 17mm stack heights to suit most common casement profiles.
- * Available in 8", 10", 12", 16", 20" and 24" top hung variations.
- * Side Hung Variations in 12" and 16".
- * Fitted with a Hinge Protector, Imperial stay exceeds the requirements of BS7950 – the simplest and surest way to meet the security standards.
- * 10 year mechanical guarantee.
- * BS EN ISO 9001/2008 Quality Management System.

Technical Information

Material Specification

Stainless Steel Grade 430

Assessment Data

Performance: 30,000 cycle guarantee.
240 Hours corrosion resistance.

Additional Information

Box Qty: 25 per box

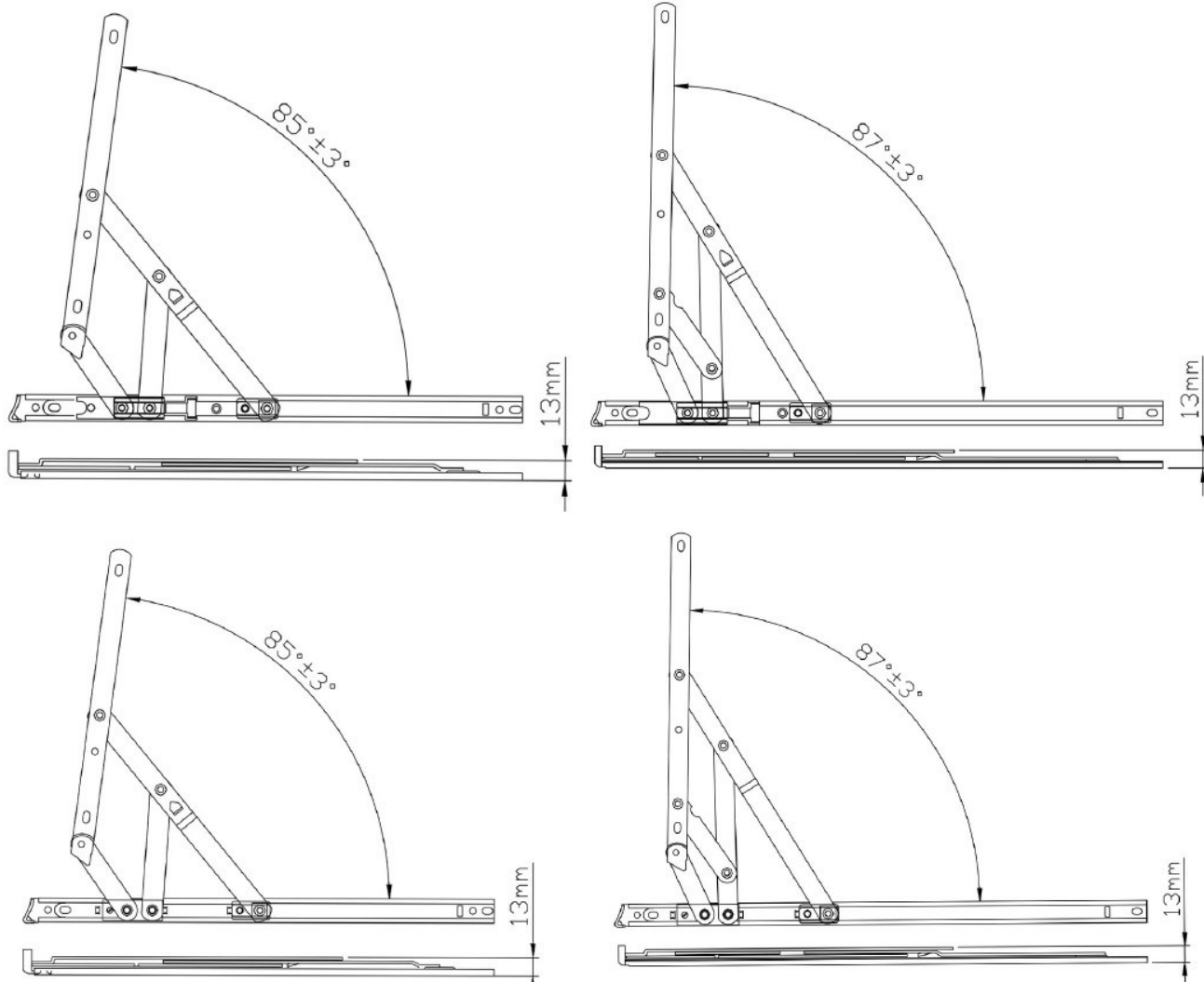
Window & Door Accessories Ltd.

Richmond House, Newtown Avenue, Malahide Road Industrial Park, Dublin 17

Tel: 01-8670011 **Fax:** 01-8670011 **Email:** info@wdacc.ie **Web:** www.wdacc.ie



Technical Drawing



Vent Size & Type	12" - Side Hung	16" - Side Hung
Max Vent Width	600mm	600mm
Max Vent Height	1250mm	1300mm
Max Vent Weight	20kgs	24kgs
Opening Angle	85 Deg.	85 Deg.
Min Vent Height	300mm	400mm

Product Codes

12" Egress/Easy Clean Friction Hinge		
Part No	Stack Height	Finish
A2101-13-SH-12	13mm	S/Steel (430)
A2101-13-SH-16	17mm	S/Steel (430)

16" Egress/Easy Clean Friction Hinge		
Part No	Stack Height	Finish
A3101-17-SH-12	13mm	S/Steel (430)
A3101-17-SH-16	17mm	S/Steel (430)

Window & Door Accessories Ltd.

Richmond House, Newtown Avenue, Malahide Road Industrial Park, Dublin 17

Tel: 01-8670011 Fax: 01-8670011 Email: info@wdacc.ie Web: www.wdacc.ie

