

Features and Benefits



- * A secure solution to window offering egress and easy clean external access without affecting the opening and closing performance of the hinge.
- * Conforms to BS 7950, when used with standard friction stays.
- * Hinge protector suitable for all casement windows.
- * Can be retrofitted on-site to enhance the hinge side security.
- * Available in 13mm and 17mm stack height.
- * Recommended you fit a pair next to each hinge.
- * No routing or prep work required.
- * No maintenance required.
- * Compatible with standard fixings, countersunk and pan head.
- * Only Stainless Steel Hinge protector on the market.
- * BS EN ISO 9001/2008 Quality Management System.

Technical Information

Material Specification

400 Series Stainless Steel

Additional Information

Box Qty: 50

1 set of 4 per opening vent.



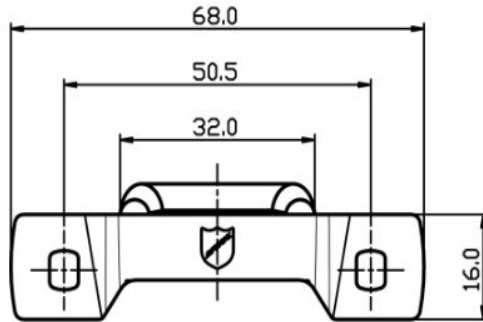
Window & Door Accessories Ltd.

Richmond House, Newtown Avenue, Malahide Road Industrial Park, Dublin 17

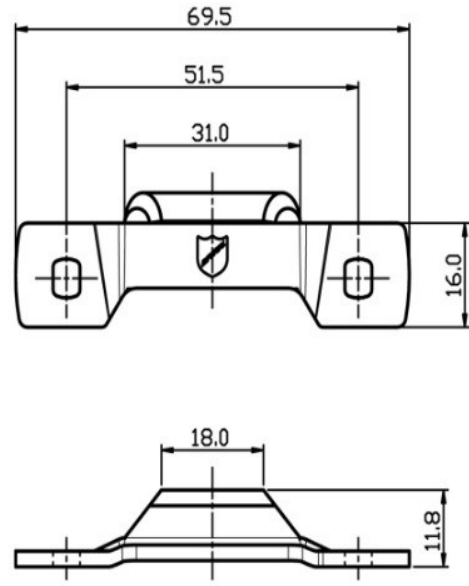
Tel: 01-8670011 **Fax:** 01-8670011 **Email:** info@wdacc.ie **Web:** www.wdacc.ie

Technical Drawing

Casement Hinge Protector
High



Casement Hinge Protector
Low



Product Codes

Casement Hinge Protector		
Part No	Hand	Finish
A2300-13	13mm	S/Steel
A3300-17	17mm	S/Steel



Window & Door Accessories Ltd.

Richmond House, Newtown Avenue, Malahide Road Industrial Park, Dublin 17

Tel: 01-8670011 Fax: 01-8670011 Email: info@wdacc.ie Web: www.wdacc.ie