

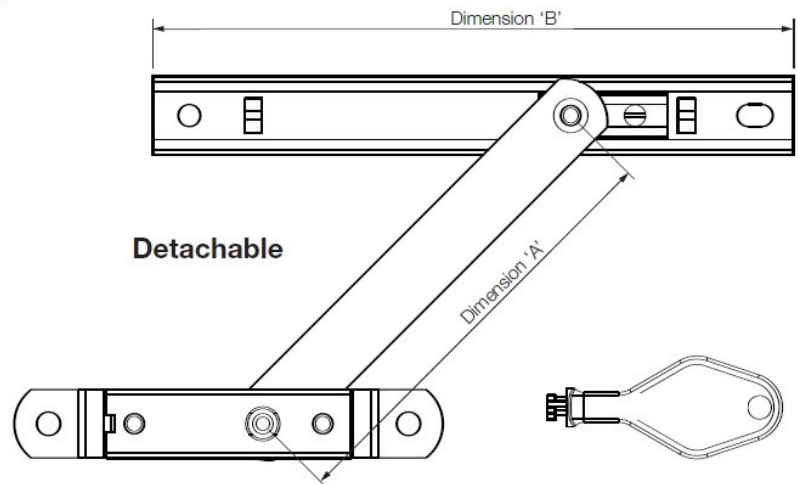
Features & Benefits



- * Withstands a force of up to 600N in restricted position.
- * Enhanced corrosion resistance.
- * Easy to fit, no routing required.
- * Can be used on windows without reinforcement.
- * Suitable for cavities between 13mm and 18mm.
- * Non-Handed.
- * Austenitic Stainless Steel

- * Tested in accordance with DD CEN/TS 13126-5:2004
- * BS 6375 Part 2:2004 and BS EN ISO 10088 Part 2
- * Austenitic 304 grade 1.4301
- * Box Qty: 50

Dimension 'A' (mm)	Dimension 'B' (mm)
102	150
152.5	200
203.5	200
254	250



Product Codes

Restrictor Arm—Detachable		
Part No	Inch	Description
A4101-04	4"	Friction Arm Restrictor, Detachable, Silver
A4101-06	6"	Friction Arm Restrictor, Detachable, Silver
A4101-08	8"	Friction Arm Restrictor, Detachable, Silver
A4101-10	10"	Friction Arm Restrictor, Detachable, Silver



Window & Door Accessories Ltd.

Richmond House, Newtown Avenue, Malahide Road Industrial Park, Dublin 17

Tel: 01-8670011 Fax: 01-8670011 Email: info@wdacc.ie Web: www.wdacc.ie