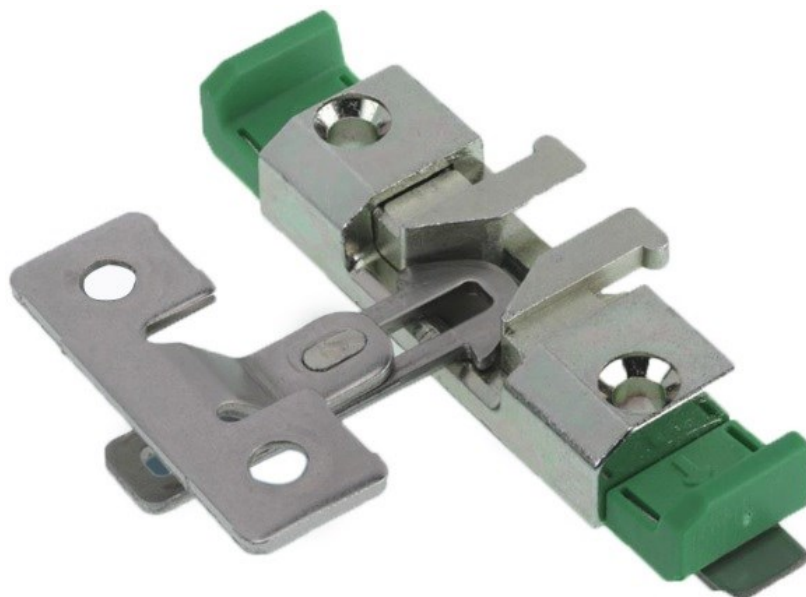


## Features and Benefits



- \* 100mm Initial opening restriction.
- \* 2 Handed operation – Safety.
- \* Non key operated.
- \* Automatic re-engagement.
- \* British standard exceeded.
- \* Suitable for use on fire egress applications.
- \* Fast fit.
- \* 13mm & 17mm stack height.
- \* Arm lengths to suit 60/70mm profiles.
- \* Integral run-up block 13mm stack.
- \* BS EN ISO 9001/2008 Quality Managements System.
- \* BS EB 14351 – Load Beading clause 4.8 Safety Device.

### Technical Information

#### Material Specification

Frame Assembly:  
Casting: Zinc Alloy to BS EN 12844 (ZP 3).  
Finish: Zinc Plating & Trivalent Passivate.  
Plungers: Zinc Alloy to BS EN 12844 (ZP 3).  
Finish: Zinc Plating & Trivalent Passivate.  
Plug Covers: ABS Green.  
Springs: Stainless Steel to BS 2056.  
Base Plate: Stainless Steel 316 S16.

#### Assessment Data

Performance: 50,000 endurance cycles.  
Corrosion resistance: BSEN 1670 Grade 4,  
NSS 240 Hour.  
Outward force: 600 Newtons.  
BS 6375 Part 2 T/Hung & S/Hung.  
EN 14351-1 2006 Section 4.8

#### Additional Information

Box Qty: 1 pair per bag, 50prs per box



## Window & Door Accessories Ltd.

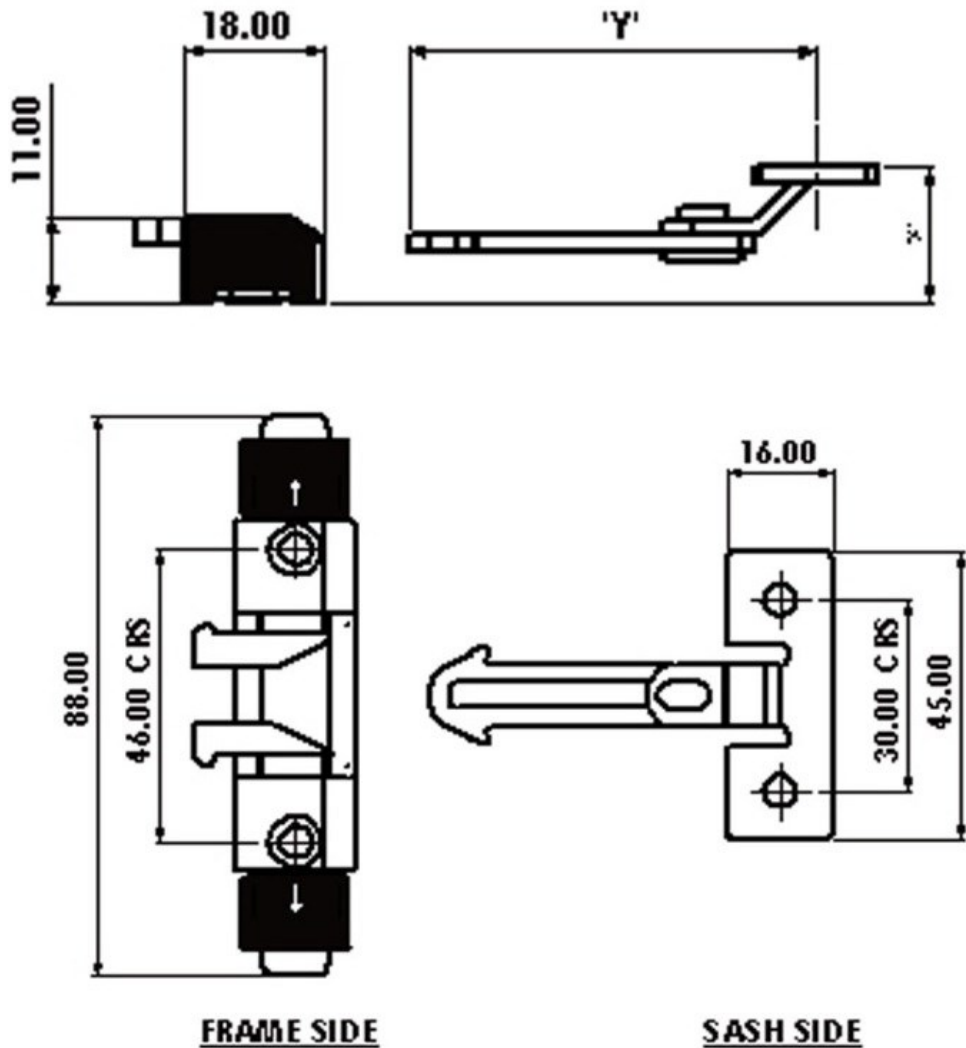
Richmond House, Newtown Avenue, Malahide Road Industrial Park, Dublin 17

Tel: 01-8670011 Fax: 01-8670011 Email: [info@wdacc.ie](mailto:info@wdacc.ie) Web: [www.wdacc.ie](http://www.wdacc.ie)

## Technical Drawing

DIM 'X' = STACK HEIGHT DEPENDENT (13mm OR 17mm)

DIM 'Y' = PROFILE DEPENDENT (CONTACTWINLOCK)



### Product Codes

Boa Restrictor		
Part No	Description	Finish
A6701-60	Boa-Restrictor, SH=13mm, for 60mm Section	Zinc & Clear/Green Plastic
A6701-70	Boa-Restrictor, SH=13mm, for 70mm Section	Zinc & Clear/Green Plastic
A6720-60	Boa-Restrictor, SH=17mm, for 60mm Section	Zinc & Clear/Green Plastic
A6720-70	Boa-Restrictor, SH=17mm, for 70mm Section	Zinc & Clear/Green Plastic



## Window & Door Accessories Ltd.

Richmond House, Newtown Avenue, Malahide Road Industrial Park, Dublin 17

Tel: 01-8670011 Fax: 01-8670011 Email: info@wdacc.ie Web: www.wdacc.ie